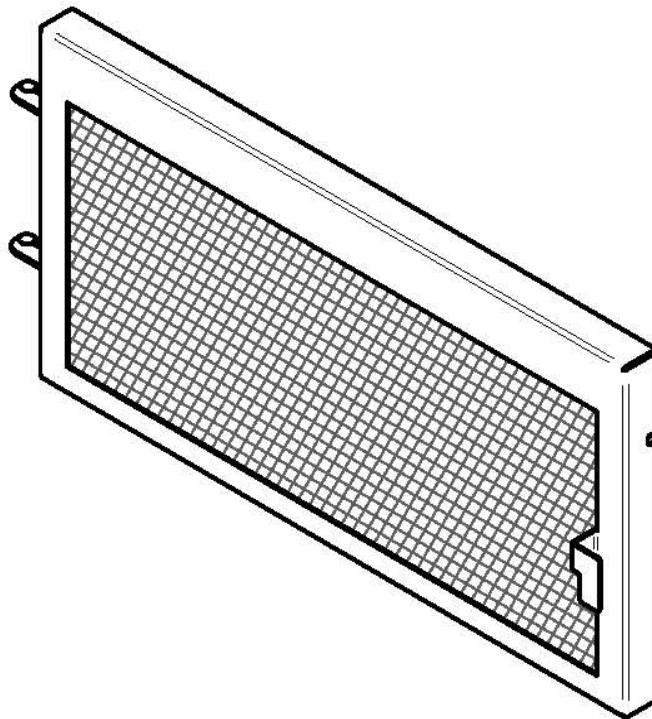




INSTRUCTIONS FOR FIRE SCREEN
AC01364

INSTALLATION
INSTRUCTIONS



WARNING: This installation may be sensitive to air draft and smoke back draft. Therefore it is not recommended to install the fire screen with a chimney installation that is less than 20 ft (6.1m).

To avoid burns caused by the heat from the fireplace, always wear gloves when handling the fire screen.

You may install a fire screen on the fireplace to recreate an ambient fire. Never start a fire with the fire screen in place; this could cause smoke spillage in the house. The fire screen should be installed when the fireplace reaches its operating temperature (about 30 minutes after lighting).

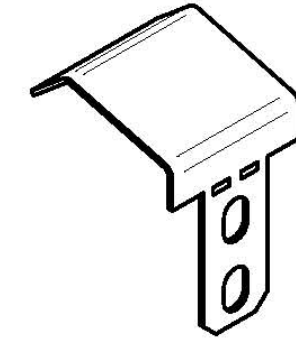
The accessories from this leaflet are intended for the Mundo fireplace with a serial number 149 and less.

This fire screen kit includes the following:

**SELF TAPPING SCREW 8-32 "F" TYPE
X 7/16" FLAT HEAD PHILLIPS BLACK**

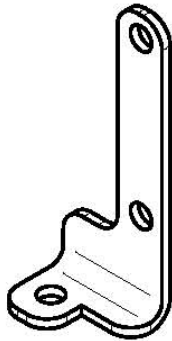


30021 (2X)



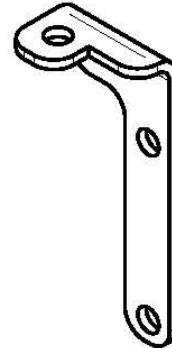
PL66630 (1X)

TOP HINGE



PL66632 (1X)

LOWER HINGE

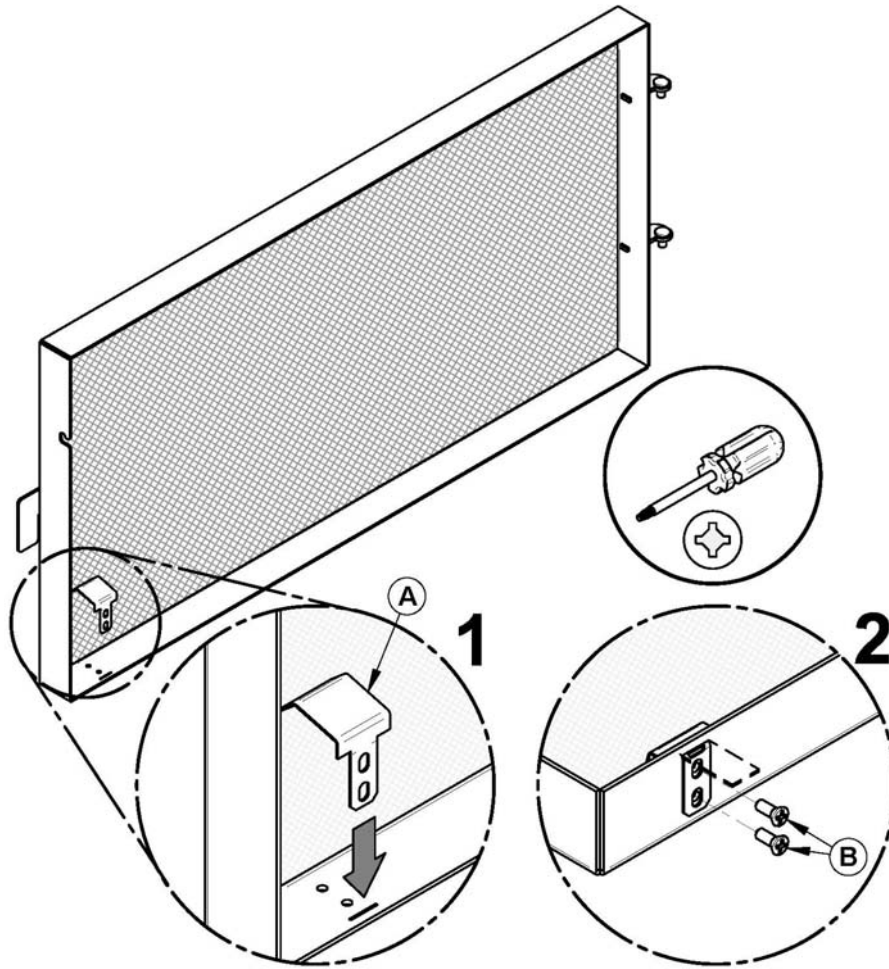


PL66633 (1X)

INSTALLATION

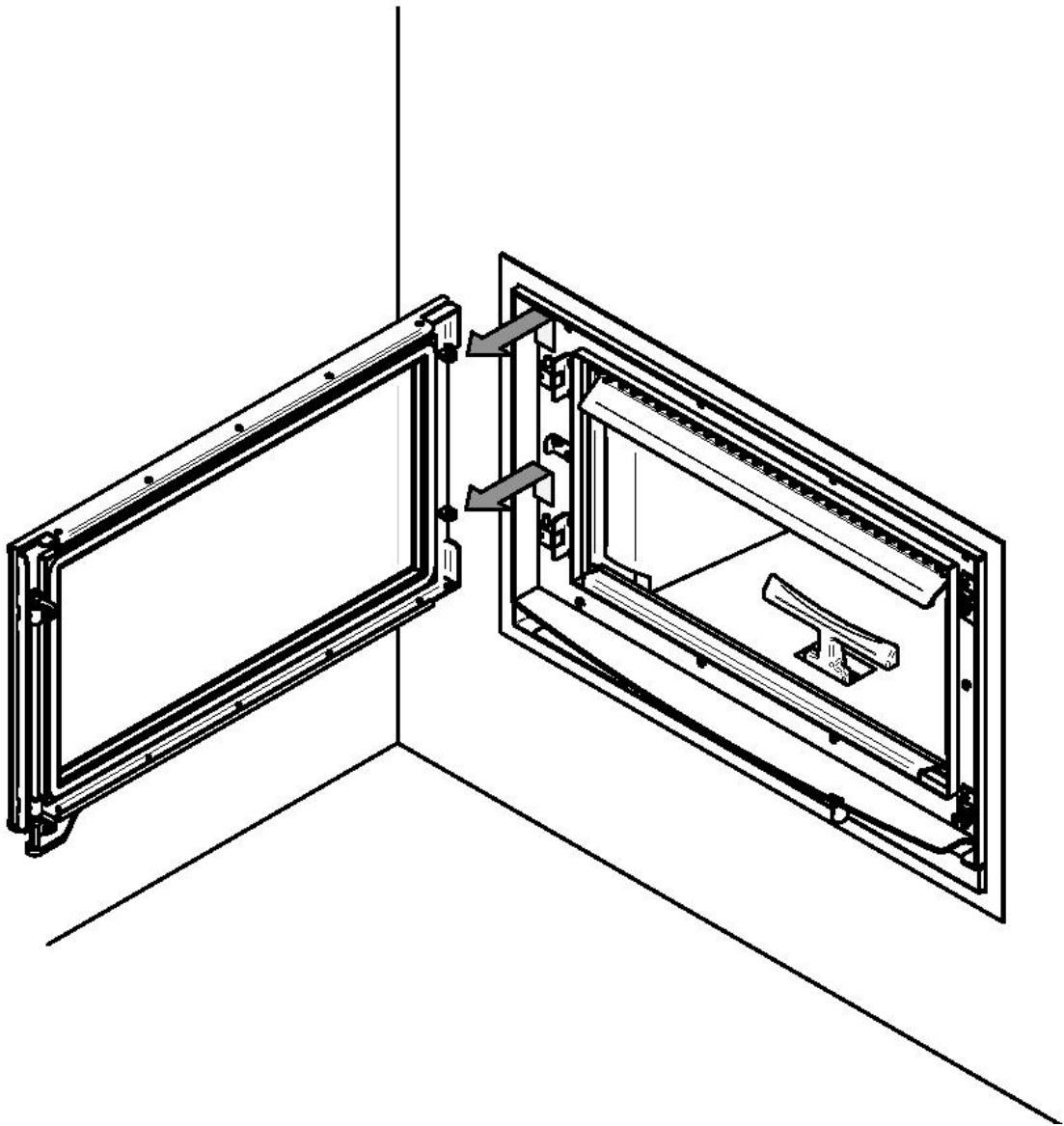
1

Insert the fire screen lock (A) into the notch at the bottom of the screen (**see #1**). Bend by hand the tab and attach it underneath by means of 2 screws #30021 (B) (**see #2**).



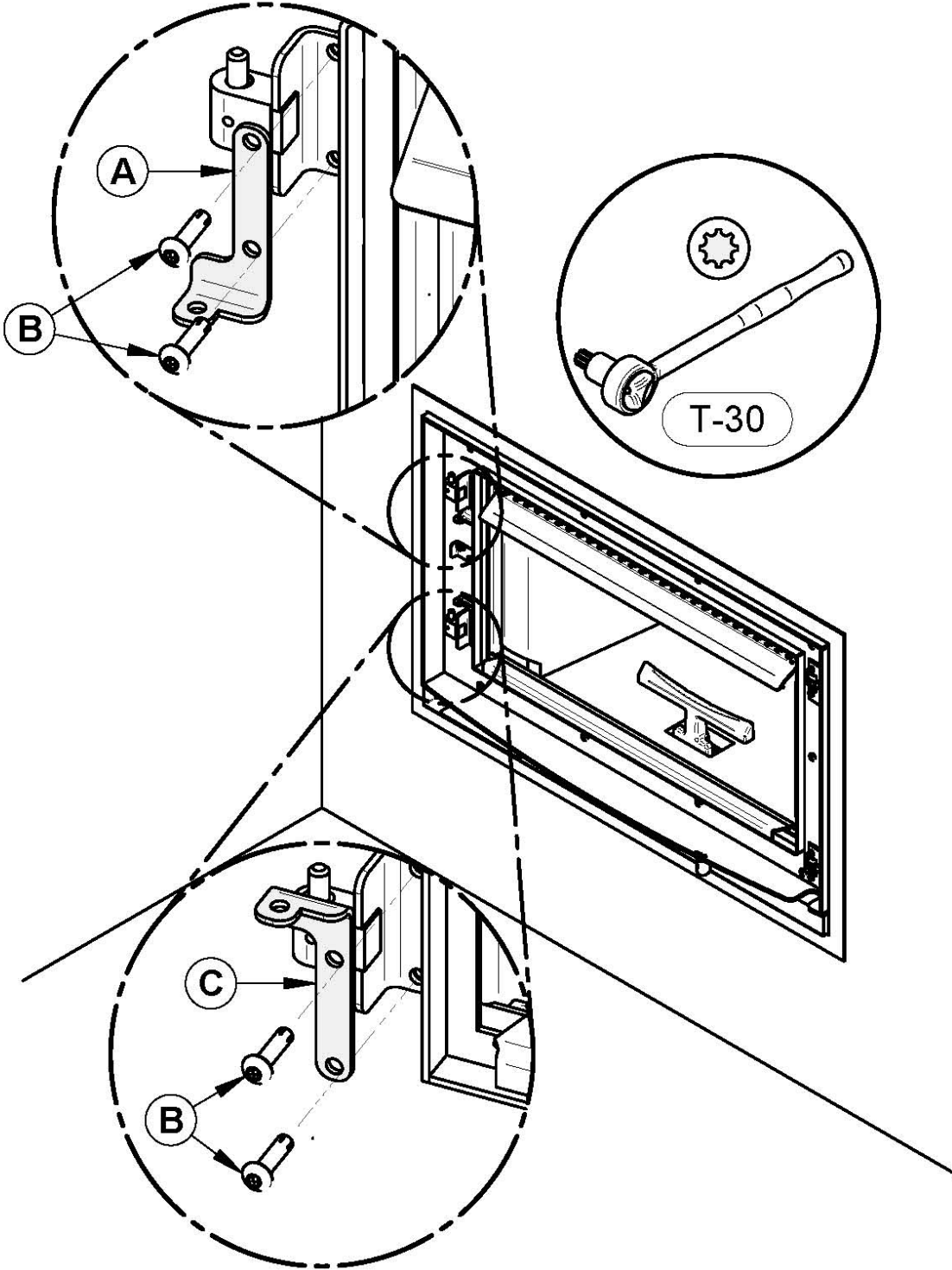
2

Remove the door.



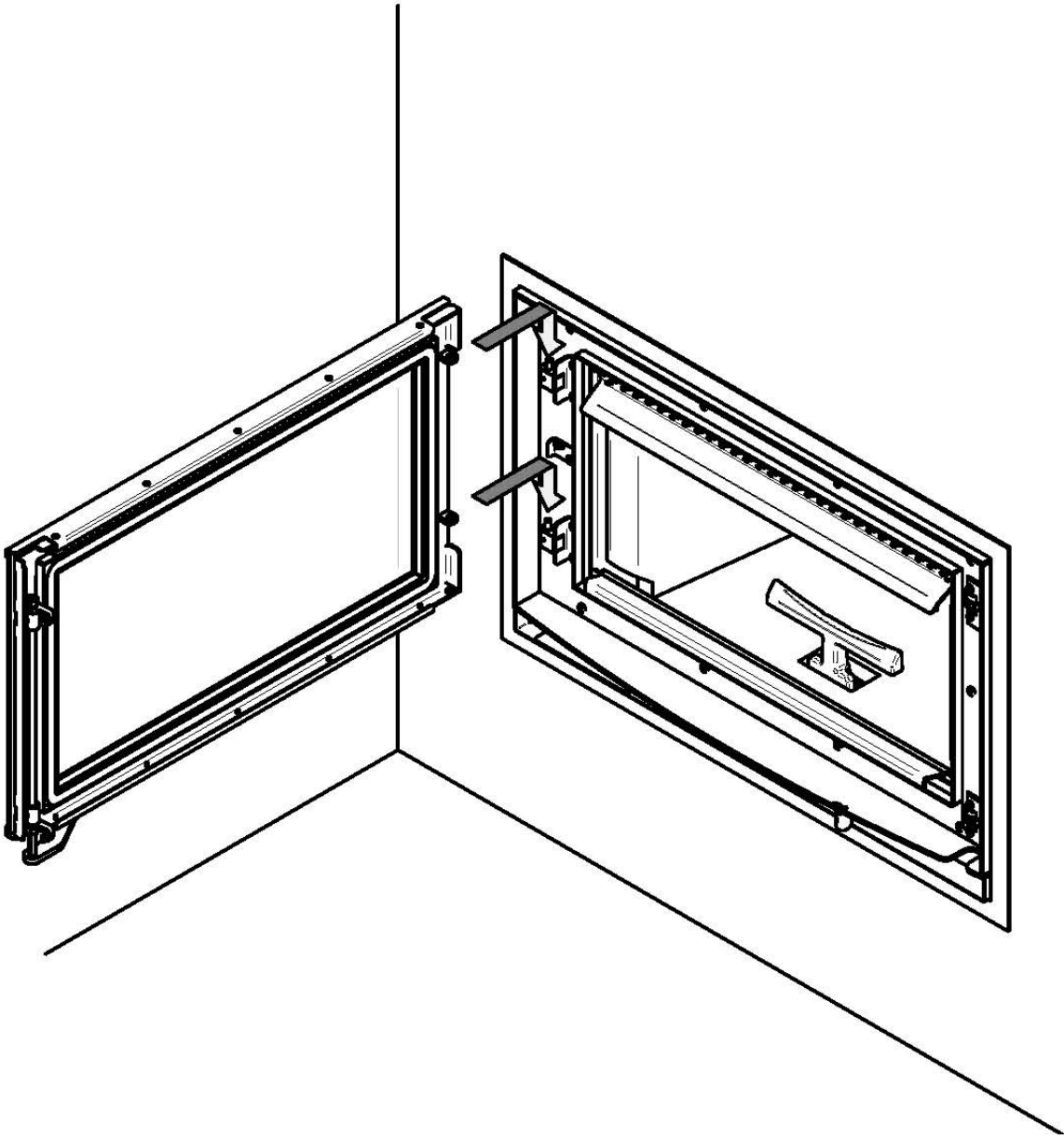
3

Remove the screws (B) from the fireplace door hinges. Install the fire screen hinges (A) and (C) to the fireplace hinges by using the previous screws (B) that were removed.



4

Reinstall the door.



5

Install the fire screen by hanging it onto the hinges previously installed in step 3. Close the fire screen.

WARNING: make sure the screen lock is properly adjusted to prevent any log roll back from opening the fire screen.

