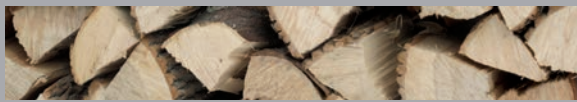


Valcourt

The Fireplace of Your Dreams

www.valcourtinc.com







Valcourt

A legendary high quality fit and finish. Discover the perfect combination of performance, style and ambiance in the greatest respect for the environment.

The Fireplace of Your Dreams

FP15-Waterloo

High Efficiency Wood Fireplace

With its 4.7 cubic foot firebox, our FP15-Waterloo is sure to satisfy the most discerning wood burners! Blower included.

Installation requires an 8" chimney.

New
COMING UP SOON

FP16-St-Laurent

Decorative Wood Fireplace

The new Valcourt FP16-Saint-Laurent is an extra-large linear wood-burning fireplace with a "guillotine" glass door and screen, which open easily and smoothly into the cavity above the fireplace. This feature enables easy wood loading, and customers are always impressed when a guillotine door's operation is first demonstrated in a dealer's showroom. The fireviewing area measures 15" high by 41" wide.

Installation requires an 8" chimney.



Available in Canada for 2016
Available in USA for 2017





Required accessories

Crown style faceplate
Moulded refractory bricks kit

Options

Forced air distribution kit
Insulated flexible pipe 25 feet (6" diameter)
for forced air kit
Hot air gravity distribution kit - modern style
Hot air gravity distribution kit - traditional style

Preliminary features

Maximum output - seasoned cord wood	95,000 BTU/h*
Recommended heating area	500 - 2,800 sq. ft.
Firebox volume	4.7 cu. ft.
Maximum log length	28"
Blower	Included
CSA B415.1-10 – certified	Yes

*Based on maximum loading capacity using hardwood.



Required accessories

Straight masonry trim
Straight narrow overlap - black
Moulded refractory bricks

Options

4" fresh air intake register with airtight damper

Features

Firebox volume	6.3 sq. ft.
Maximum log length	30"
EPA	Exempted

Technical data for these new products are for reference only. Any installation must be done according to the data and drawings detailed in the Owner's manual. Contact your dealer or visit www.valcourtinc.com for more information.

Contents

FP1LM Manoir



Clean Burning Decorative
Wood Fireplace

p. 10

FP7LM Antoinette



Clean Burning Decorative
Wood Fireplace

p. 12

FP11 Frontenac



Clean Burning Decorative
Wood Fireplace

p. 14

FP2 Beaumont



Mid-efficiency Decorative
Wood Fireplace

p. 18

FP5 Westmount



Mid-efficiency Decorative
Wood Fireplace

p. 20

FP10 Lafayette



High Efficiency
Wood Fireplace

p. 24

FP12 Mundo



High Efficiency
Wood Fireplace

p. 26

Images in this catalog are for reference only.

Some changes may have been made to the products or technical data after the publication of this brochure. Valcourt reserves itself the right to modify its products without any obligation on its part.



FP14 Cartier



High Efficiency
Wood Fireplace

p. 28

Heat Distribution Systems

Forced Air Distribution Kit
Hot Air Gravity Distribution Kit
p. 30

Technical Data
p. 31-32

Manufacturers,
brands and types of
approved chimneys

p. 33

Fireplace tool sets



p. 34

FM400



Soapstone
Masonry Fireplace

p. 38

FM1000



Soapstone
Masonry Fireplace

p. 40

FM1200



Soapstone
Masonry Fireplace

p. 42

FM1500



Soapstone
Masonry Fireplace

p. 44

Technical Data

p. 46

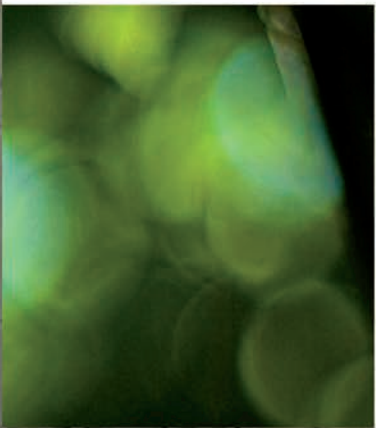
Warranty

p. 47

The fireplace of your dreams



Clean Burning Decorative Wood Fireplaces





Decorative wood burning fireplace with modern style doors and traditional faceplate.



Decorative wood burning fireplace with modern style doors. Faceplate and Hot Air Gravity Distribution Kit - traditional style.



Decorative wood burning fireplace with modern style doors, faceplate and Hot Air Gravity Distribution Kit.

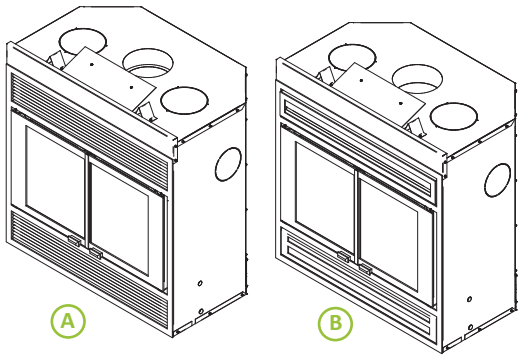
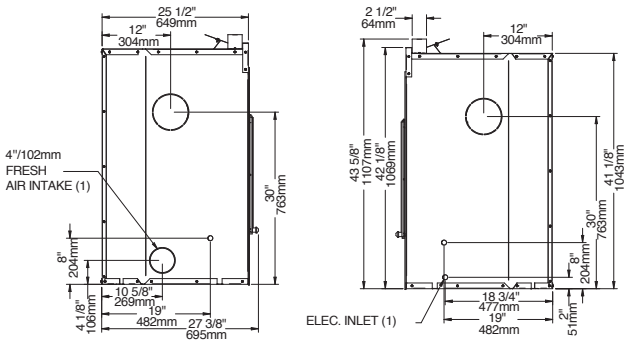
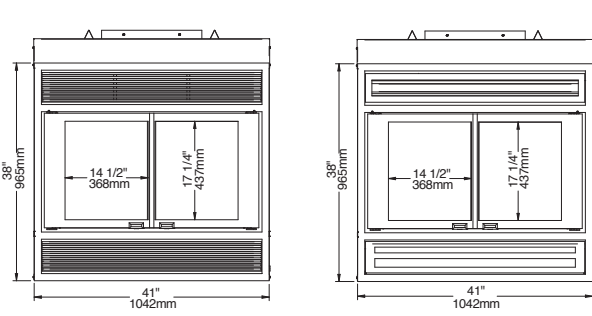
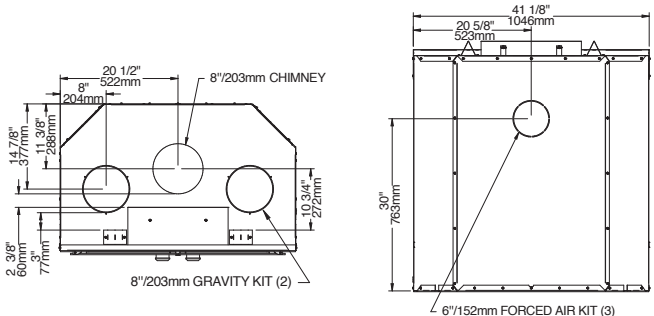


FUSIO
Fireplace tool sets
See page 35

FP1LM Manoir
Decorative wood burning fireplace with modern style doors and faceplate.

The Manoir is the updated version of Valcourt's very first fireplace. Valcourt's fireplace doors are second to none and the Manoir is another good example of their uniqueness. The steel framed double doors with ceramic glass slide into each side of the fireplace, smoothly and easily, allowing for an exceptional view of the crackling flames. Thanks to the availability of two different styles of faceplates, this fireplace will enable you to be creative with your décor. Moreover, you can benefit from the Manoir's maximum heating output by using its included blower and its optional Hot Air Distribution Kits (Gravity or Forced Air). All Valcourt fireplaces feature a heavy duty construction for guaranteed peace of mind. A real solid luxury that will provide years of relaxation for you and your family.

FP1LM - Manoir



Features

- Firebox volume of 4.25 cu. ft.
- Retractable ceramic glass doors
- Cast iron andirons
- Moulded refractory bricks
- Thermal activation blower with variable speed control
- Requires an 8" chimney
- Fresh air intake adapter included

Required accessories

- Traditional style faceplate - metallic black (A)
- Modern style faceplate - metallic black (B)

Options

- Hot Air Gravity Distribution Kit - modern style
- Hot Air Gravity Distribution Kit - traditional style
- Forced Air Distribution Kit
- 6" x 25' insulated flex pipe for forced air distribution kit

Technical data contained in this catalogue are for reference only. Any installation must be done according to the data and drawings detailed in the Owner's manual.



Modern style doors

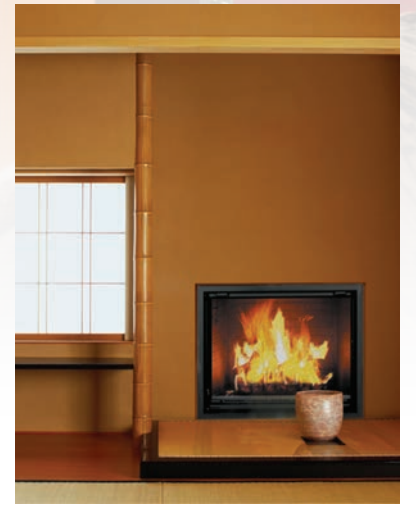
This model is **EPA QUALIFIED** Under the **LOW MASS** Wood-Burning Fireplace Program **PHASE 2** EMISSION LEVEL

FP7LM Antoinette
Decorative wood burning fireplace with
guillotine door and masonry trim.



Decorative wood burning
fireplace with guillotine
door and narrow overlap.

Cast iron andirons



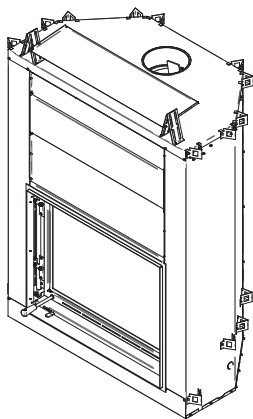
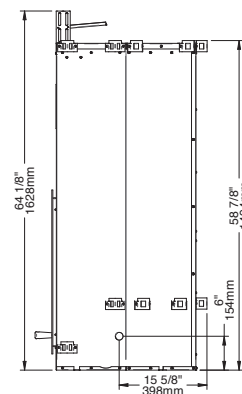
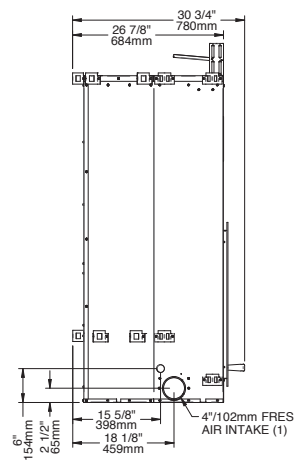
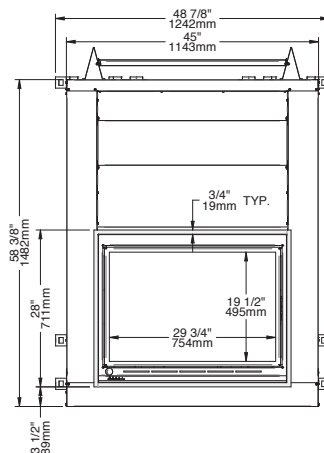
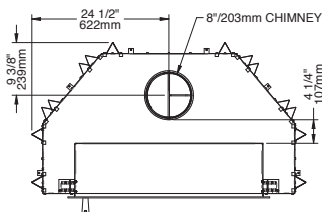
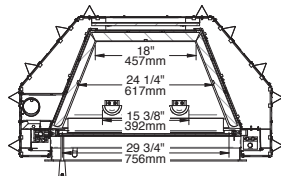
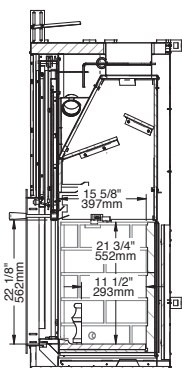
Dare to design... the fireplace of your dreams, while being environmentally friendly.

The US Environmental Protection Agency (EPA) initiated a voluntary program for manufacturers of decorative wood burning fireplaces to encourage manufacturers to produce clean wood-burning appliances that reduce air pollution.

The FP7-LM Antoinette wood fireplace already qualifies for phase II of the EPA voluntary program. With emissions of 4.0 g/kg (approximately 70 percent cleaner than unqualified models), you can benefit from a product with low particulate emissions.

Another advantage of this Valcourt fireplace is its guillotine door that disappears to allow you to load wood on the fire or relax with the crackle of the open fireplace. The firescreen is also on a guillotine mechanism so you can close it when the ceramic glass door is open. Why Antoinette? Finally, a positive historical reference to the guillotine! The guillotine door and clean front gives you the flexibility to design your fireplace in any way that suits you. The Antoinette is a truly versatile fireplace and is all about giving you the ability to design your fireplace exactly how YOU want it to be.

FP7LM-Antoinette



Features

- Firebox volume of 5.3 cu. ft.
- Guillotine ceramic glass door
- Guillotine rigid fire screen door
- Cast iron andirons
- Moulded refractory bricks
- Requires an 8" chimney
- Fresh air intake adapter included

Required accessories

- Narrow overlap; painted black
- Masonry trim

Technical data contained in this catalogue are for reference only. Any installation must be done according to the data and drawings detailed in the Owner's manual.

This model is
EPA QUALIFIED
 Under the LOW MASS
 Wood-Burning Fireplace Program
PHASE 2
 EMISSION
 LEVEL



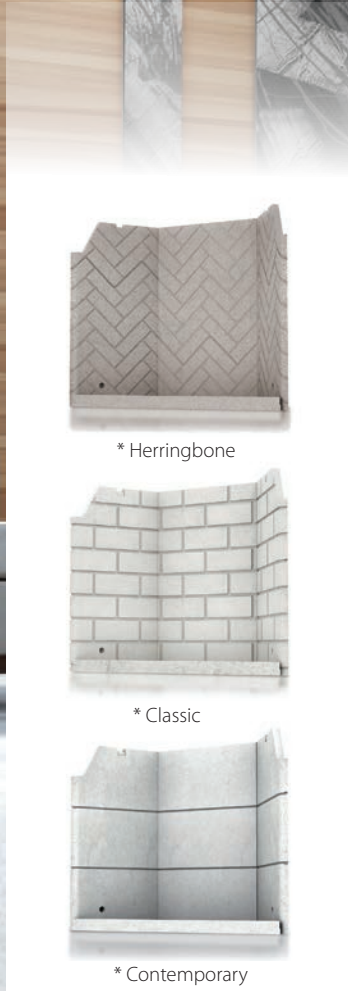
Clean Burning Decorative Wood Fireplace with guillotine door and arched narrow overlap.



Clean Burning Decorative Wood Fireplace with guillotine door and straight narrow overlap.



Clean Burning Decorative Wood Fireplace with guillotine door and straight masonry trim.



* Herringbone

* Classic

* Contemporary



PAPYRUS
Fireplace tool sets
See page 35



Cast iron andirons

FP11 Frontenac
Clean Burning Decorative Wood Fireplace
with guillotine door and arched masonry trim.

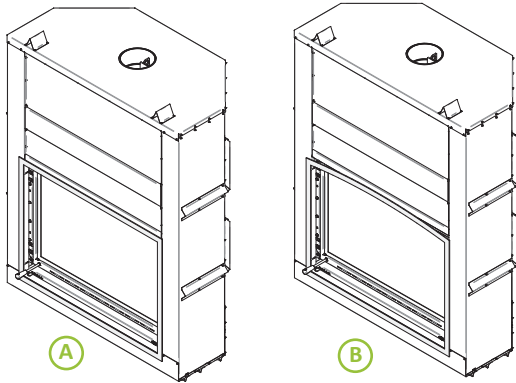
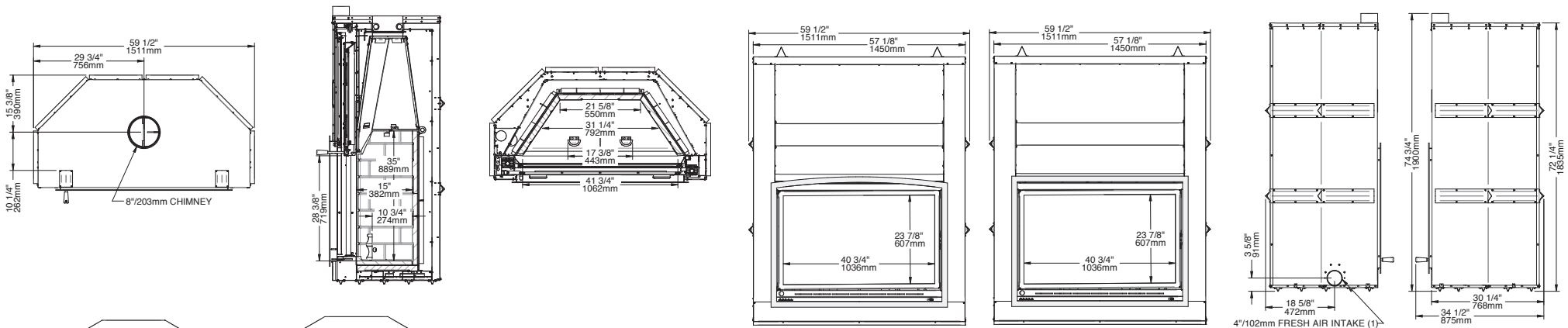
Dare to design... the fireplace of your dreams, while being environmentally friendly!

Frontenac is not only the name of a grand hotel located in the heart of Quebec City, Canada. It is also the largest fireplace of the Valcourt brand. Majestic and imposing, this bravery symbol of the Count of Frontenac, who has fiercely defended the French colony, is quite appropriate to represent the enormous challenge overtaken when designing and manufacturing this fireplace. Exceptionally large, the FP11 Frontenac uses advanced technology to reduce air pollution. Indeed, the FP11 Frontenac already qualifies for Phase II of the US Environmental Protection Agency (EPA) voluntary program for manufacturers of decorative wood burning fireplaces.

With particulate emissions of 4.2 g/kg (which is approximately 70 percent cleaner than unqualified models), the FP11 Frontenac will surely give you elegance without compromising air quality.

Just like the FP7-LM Antoinette, the FP11 Frontenac has a guillotine door that disappears in the hearth, allowing you to easily load wood on the fire and have an unrivaled view of the flames. The firescreen is also equipped with a guillotine mechanism. You will thus enjoy an open fire safely when the ceramic glass door is open. Finally, the bare front allows significant flexibility and creativity in the design of your interior décor.

FP11 - Frontenac



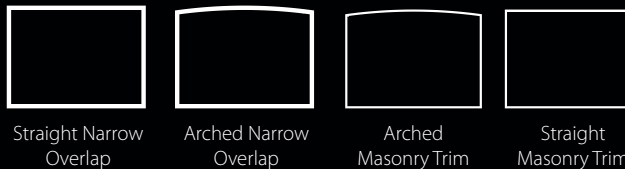
Features

- Firebox volume of 9.4 cu. ft.
- Guillotine ceramic glass door
- Guillotine rigid fire screen door
- Cast iron andirons
- Three styles of firebox moulded refractory panels
- Requires an 8" chimney
- Fresh air intake adapter included

Required accessories

- Straight Narrow Overlap **(A)**
- Arched Narrow Overlap **(B)**
- Arched Masonry Trim
- Straight Masonry Trim
- Classic Moulded Refractory Brick Panel
- Herringbone Moulded Refractory Vermiculite Panel
- Contemporary Moulded Refractory Brick Panel

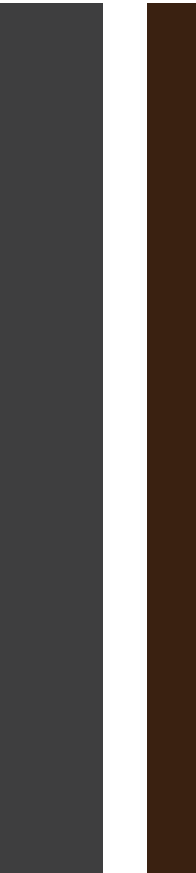
Technical data contained in this catalogue are for reference only. Any installation must be done according to the data and drawings detailed in the Owner's manual.



This model is **EPA QUALIFIED** Under the LOW MASS Wood-Burning Fireplace Program **PHASE 2** EMISSION LEVEL

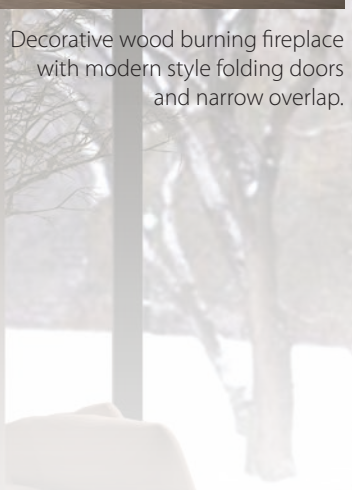


Decorative Wood Burning Fireplaces





Decorative wood burning fireplace with modern style folding doors and narrow overlap.



Decorative wood burning fireplace with modern style folding doors and large overlap.



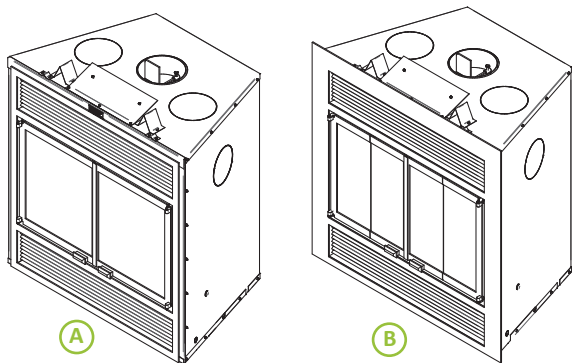
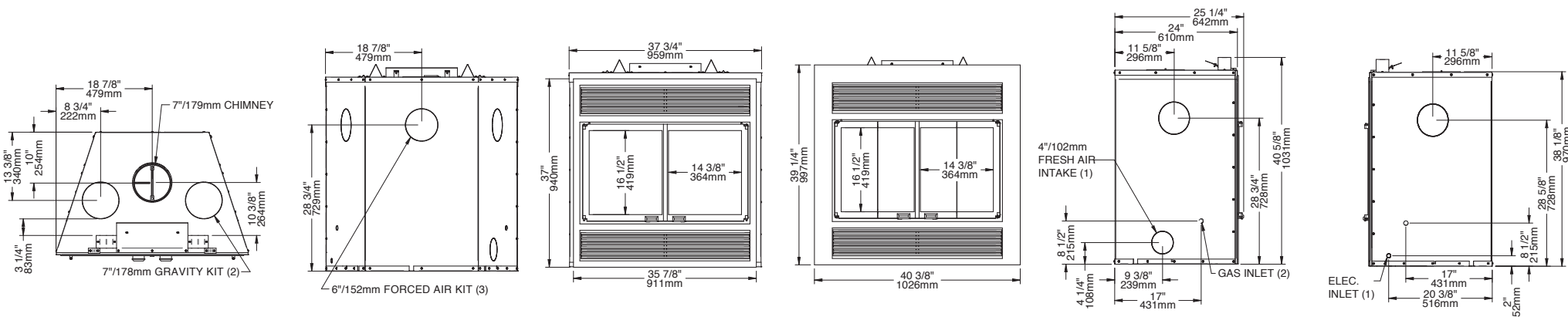
EQUISS
Fireplace tool sets
See page 35

FP2 Beaumont
Decorative wood burning fireplace with modern style folding doors and narrow brushed nickel plated overlap.

Imagine yourself sitting on your sofa or perhaps in your bathtub, sipping your favorite beverage and watching the open fire as it dances, snaps and crackles in your Beaumont fireplace. What a delightful way to relieve yourself of the day's stress.

Ahhh... now doesn't that feel better?

FP2 - Beaumont



Features

- Firebox volume of 3.0 cu. ft.
- Two styles of ceramic glass doors
- Rigid fire screen doors
- Tilt up cast iron grate
- Moulded refractory bricks
- Thermal activation blower with variable speed control
- Requires a 7" chimney
- Fresh air intake adapter included

Required accessories

- Narrow overlap; painted black or brushed nickel plated (A)
- Large overlap; painted black (B)

Options

- Hot Air Gravity Distribution Kit
- Forced Air Distribution Kit
- 6" x 25' insulated flex pipe for forced air distribution kit

Technical data contained in this catalogue are for reference only. Any installation must be done according to the data and drawings detailed in the Owner's manual.



Modern style doors



Modern style folding doors

This appliance is
EPA exempt



Decorative wood burning fireplace with modern style folding doors and large overlap.

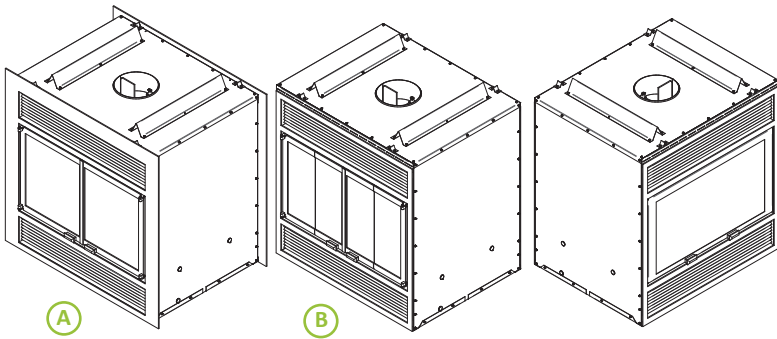
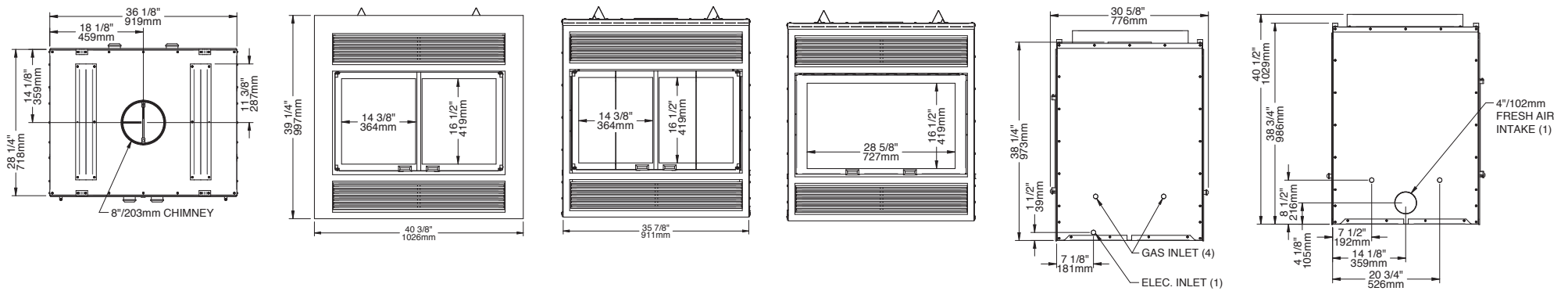
FP5 Westmount
Decorative wood burning double sided fireplace.

So what's better than a Valcourt fireplace in one room? How about a Valcourt fireplace that has a face in two rooms at the same time? A double sided Valcourt fireplace. That is what the Westmount gives to the Valcourt line. Great in a master suite between the bedroom and bathroom. Very romantic. Or how about between a dining room and a living room? Or maybe between a dining room and a kitchen.

Whatever or wherever you desire a see-through fireplace, the Westmount is there for you.

Enjoy the fire wherever you may happen to be!

FP5 - Westmount



Back view

Features

- See-through fireplace
- Firebox volume of 3.5 cu. ft.
- Two styles of ceramic glass doors
- Second side with fixed ceramic glass
- Rigid fire screen doors
- Cast iron grate
- Moulded refractory bricks
- Requires an 8" chimney
- Fresh air intake adapter included

Required accessories

- Large overlap; painted black (A)
 - Narrow overlap; painted black or brushed nickel plated (B)
- (To complete the installation, two sets of overlaps must be ordered. One for each side).

Option

- Thermal activation blower with variable speed control

Technical data contained in this catalogue are for reference only. Any installation must be done according to the data and drawings detailed in the Owner's manual.



Modern style doors



Modern style folding doors

This appliance is
EPA exempt



High Efficiency Wood Fireplaces





High efficiency wood burning fireplace with "Victoria" style faceplate and brushed nickel plated door overlay.



High efficiency wood burning fireplace with "Crown" style faceplate and black door overlay.

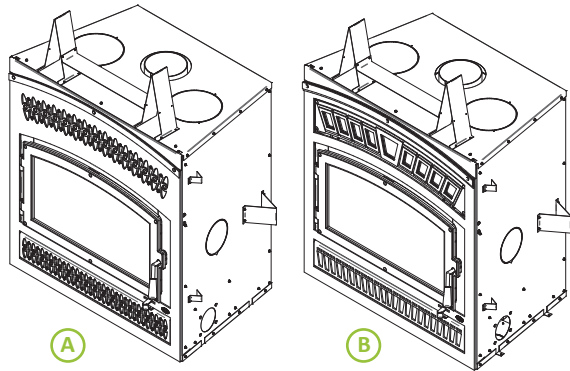
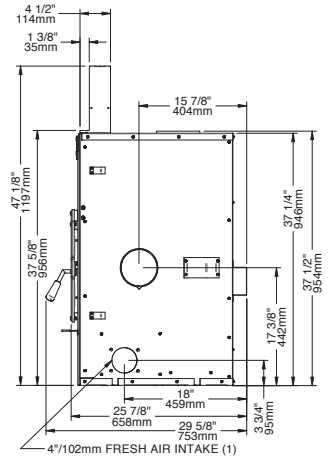
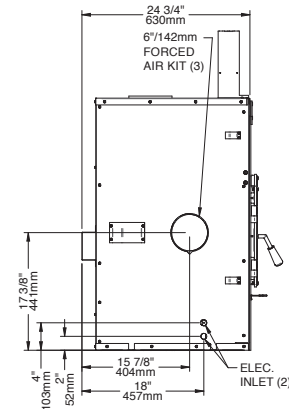
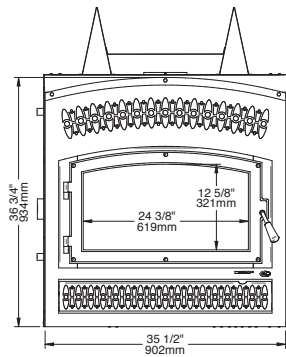
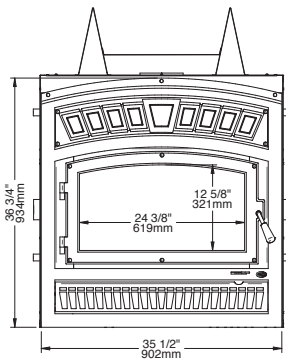
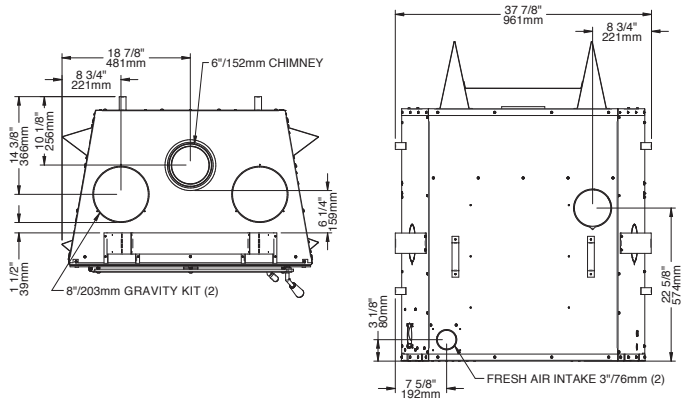


SILHOUETTE
Fireplace tool sets
See page 35

FP10 Lafayette
High efficiency wood burning fireplace
with "Crown" style faceplate and brushed nickel plated door overlay.

Lafayette, the French officer and hero of the American Revolution, inspired us to create our newest high efficiency fireplace. As the great general, Valcourt used its tactical skills in developing the Lafayette fireplace so it provides home heating with superb efficiency and elegance. Further to offering a revolutionary look, Lafayette meets the highest EPA emissions requirements, making it the fireplace of choice for the new generation of consumers who want to use wood as a renewable and clean source of heat.

FP10 - Lafayette



Features

- Firebox volume of 2.5 cu. ft.
- Controlled combustion
- Thermal activation blower with variable speed control
- EPA Certified at 4.4 g/h
- Moulded refractory bricks
- Cast iron andiron
- Requires a 6" chimney*
- Fresh air intake adapter included

Required accessories

- Steel door overlay; painted black or brushed nickel plated
- "Victoria" style faceplate, painted black **(A)**
- "Crown" style faceplate, painted black or brushed nickel plated **(B)**

Options

- Rigid firescreen
- Hot Air Gravity Distribution Kit - modern style
- Hot Air Gravity Distribution Kit - traditional style
- Forced Air Distribution Kit
- 6" x 25' insulated flex pipe for forced air distribution kit

Technical data contained in this catalogue are for reference only. Any installation must be done according to the data and drawings detailed in the Owner's manual.

*This high efficiency wood burning fireplace may also be installed with a 7" chimney. See owner's manual for more details.





DUPLEX
Fireplace tool sets
See page 35



High efficiency wood burning fireplace with traditional style Hot Air Gravity Distribution Kit and optional metallic black finishing trim.

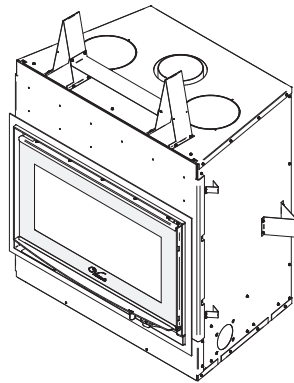
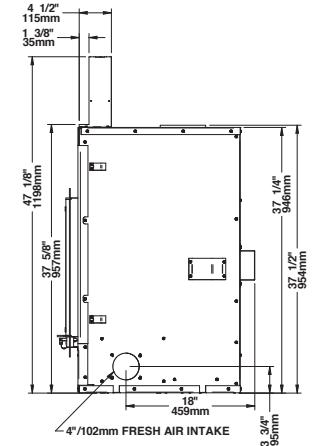
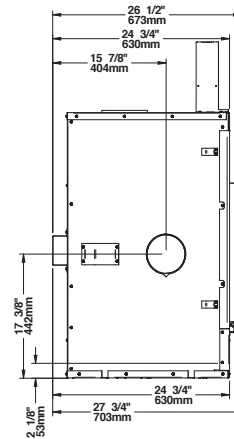
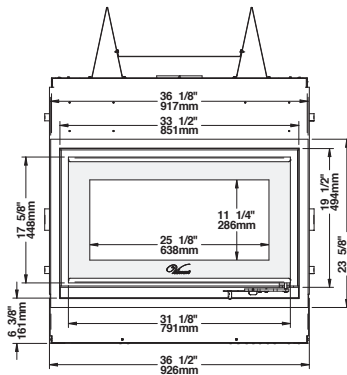
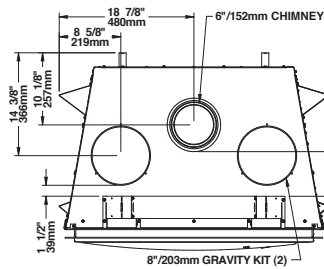
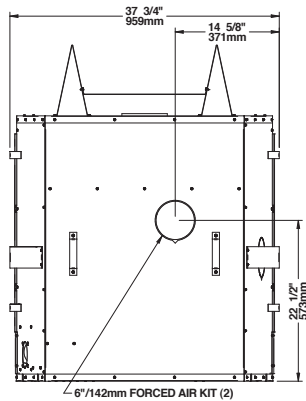


FP12 Mundo
High efficiency wood burning fireplace with modern style Hot Air Gravity Distribution Kit and optional metallic black finishing trim.

With its straight lines, simplistic shape and neutral color, the FP12 Mundo brings a gust of modernism into your home. It harmonizes both functionality and comfort perfectly. Moreover, with its extra large clean face glass, the Mundo offers a view on the fire that is unmatched in the industry.

This ecological fireplace is EPA certified with an emissions rate of 4.4 g/h and produces up to 75,000 BTU/h. The Hot Air Gravity Distribution Kit (modern or traditional style), mandatory on the Mundo, will help you harness all the power from this incredible fireplace while keeping in mind the contemporary lines of your décor. The most serious of users will also want to install the Forced Air Distribution Kit which will allow for better and more efficient heat transfer to rooms further from the fireplace.

FP12 - Mundo



Features

- Firebox volume of 2.5 cu. ft.
- Extra large clean face glass
- Cast iron andiron
- Moulded refractory bricks
- Requires a 6" chimney
- Fresh air intake adaptor included*

Mandatory accessory

- Hot Air Gravity Distribution Kit - modern style or
- Hot Air Gravity Distribution Kit - traditional style

Options

- Firescreen
- Metallic black finishing trim
- Forced Air Distribution Kit (Heat activated. Only available on modern style Hot Air Gravity Distribution Kit).
- 6" x 25' insulated flex pipe for forced air distribution kit

Technical data contained in this catalogue are for reference only. Any installation must be done according to the data and drawings detailed in the Owner's manual.

*The installation of a fresh air intake is mandatory on the FP12. The fresh air intake adaptor is provided with the fireplace.





High efficiency wood burning fireplace with modern style faceplate and Hot Air Gravity Distribution Kit.

INEO
Fireplace tool sets
See page 35



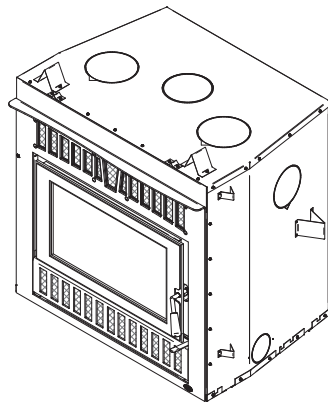
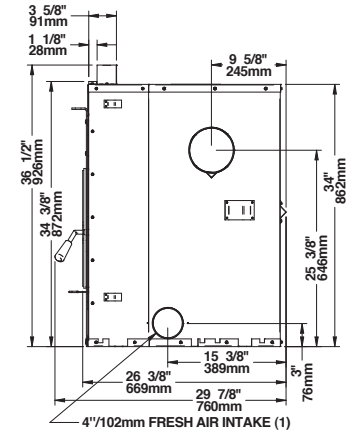
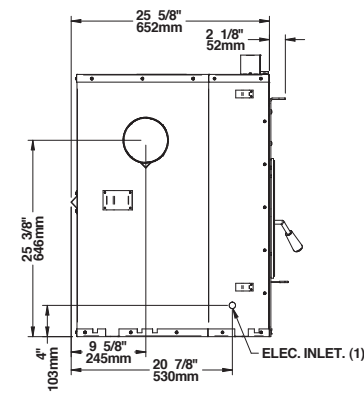
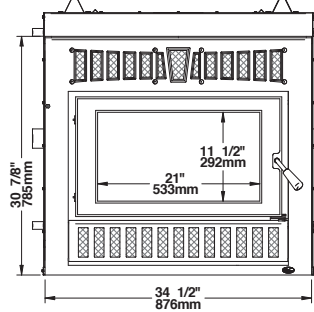
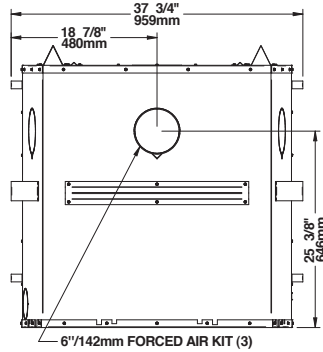
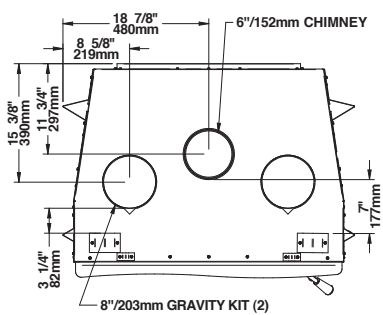
FP14 Cartier
High efficiency wood burning fireplace with brushed nickel plated door overlay and modern style faceplate.



High efficiency wood burning fireplace with modern style faceplate and traditional style Hot Air Gravity Distribution Kit.

The Cartier fireplace honours its namesake, Jacques Cartier, the famous European explorer. Once again, Valcourt explores new avenues of design and introduces a fireplace which gracefully blends a contemporary design with the functionality of a traditional fireplace. The Cartier has a clean, large steel door allowing a perfect view of the fire without compromising its efficiency. In addition, you can always customize your decor with the two available choices of overlays. Thanks to its optional blower and its heat-releasing louver strategically positioned above the glass, the Cartier is a perfect choice for an environmentally-sound, efficient, and stylish heating alternative.

FP14 - Cartier



Features

- Firebox volume of 2.3 cu. ft.
- Cast iron door
- Cast iron andiron
- Moulded refractory bricks
- Requires a 6" chimney
- Fresh air intake adapter included

Required accessories

- Door overlay; painted black or brushed nickel plated
- Modern style faceplate, painted black

Options

- Firescreen
- Thermal activation blower with variable speed control
- Hot Air Gravity Distribution Kit - modern style
- Hot Air Gravity Distribution Kit - traditional style
- Forced Air Distribution Kit
- 6" x 25' insulated flex pipe for forced air distribution kit
- Heat shield for surround/shelf*

Technical data contained in this catalogue are for reference only. Any installation must be done according to the data and drawings detailed in the Owner's manual.

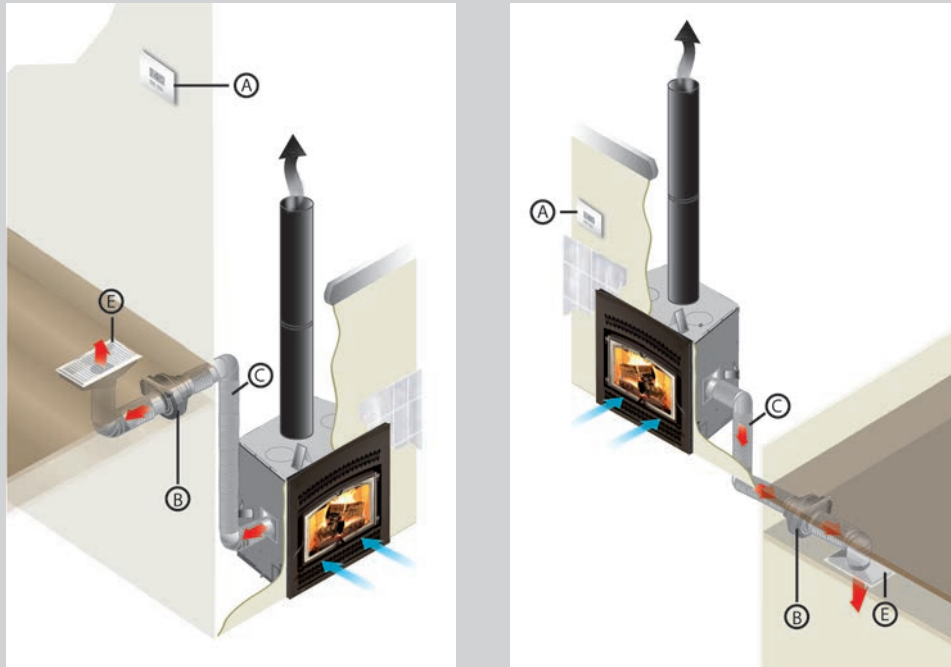
* The heat shield for surround/shelf AC01324 option is mandatory for the installation of a combustible shelf above the FP14 fireplace.



Heat Distribution Systems

EPA certified wood fireplaces generate a lot of heat. For the most part, they generate too much for the room where they are located. Therefore, you need to manage the excess heat and send it where it is needed. To provide a solution, our research and development laboratory has designed the Heat Distribution System, an innovative technology that allows the recovery of the heat produced during combustion and redirects it into distribution ducts to heat other areas in your home.

Forced Air Distribution Kit

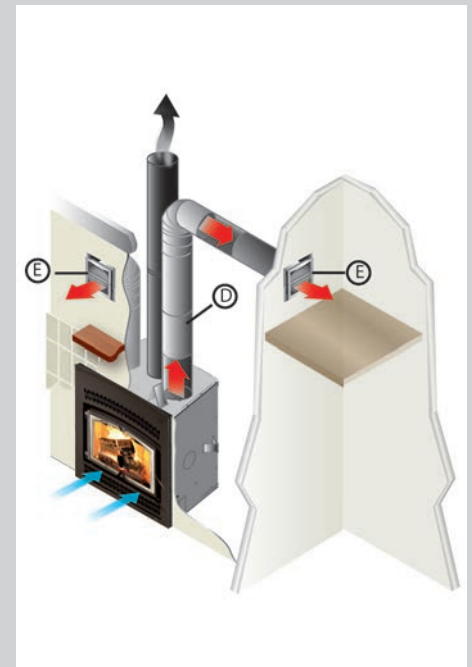


This system allows you to manage the heat distribution automatically. Using a wall thermostat, you can select the temperature you want to maintain in the room where the fireplace is located. Once the thermostat is satisfied, the excess heat is redirected to another room up to 50 feet (15 m) away from the fireplace using a 300 CFM blower. That way, you can enjoy a nice fire in your living room without the discomfort of excess heat generated by your Valcourt fireplace.

The system can also be used to supplement heat in a room remote from the fireplace. For this type of application, the thermostat needs to be positioned in the desired room and programmed with the temperature to be maintained. The system, now in "heat mode", will activate the blower as long as the temperature in the remote room is not achieved and that the fireplace has enough heat to distribute.

Hot Air Gravity Distribution Kit

Valcourt also offers you another way to distribute excess heat into your home with the help of a Hot Air Gravity Distribution Kit.



The Hot air gravity kit allows you to bring hot air into the same room as the fireplace, in adjacent rooms, or up-stairs at a maximum distance of 10' (3 m). The minimum height of the hot air duct must be 68" (1.7 m) measured from the base of the fireplace to the top of the hot air register.

Suggested installation: A) Wall thermostat B) 300 CFM blower C) Hot air flexible pipe D) Hot air rigid pipe E) Air register. The information contained in this page is for information purposes only.

For more details about the installation requirements of the kits and their content, please refer to the owner's manuals. For more installation options or more details on the

Forced Air Distribution Kit or the **Hot Air Gravity Distribution Kit**, visit www.valcourtinc.com/en/service-support/heat-distribution-system

Technical data contained in this catalogue are for reference only. Any installation must be done according to the data and drawings detailed in the Owner's manual.

Technical Data



	FP1LM	FP2	FP5	FP7LM	FP11
Color	Black	Black	Black	Black	Black
Combustion technology	Non-catalytic	Non-catalytic	Non-catalytic	Non-catalytic	Non-catalytic
Maximum recommended area (with forced air kit)	N/A	N/A	N/A	N/A	N/A
Heating capacity - BTU/hr, EPA test wood	N/A	N/A	N/A	N/A	N/A
Heating capacity - BTU/hr, seasoned cord wood	N/A	N/A	N/A	N/A	N/A
Optimum efficiency	N/A	N/A	N/A	N/A	N/A
Door opening dimensions (W x H)	30" x 17 7/8"	28 1/4" x 14 1/2"	28 1/4" x 13 1/8"	33" x 22 3/4"	44 1/2" x 26 1/2"
Firebox dimensions (W x D)	23 3/8" x 11 3/8"	18 3/4" x 10"	24 3/4" x 15 3/8"	24 1/4" x 11 1/2"	31 3/4" x 10 3/4"
Firebox volume (excluding grate or andirons)	4.25 cu. ft.	3 cu. ft.	3.5 cu. ft.	5.3 cu. ft.	9.4 cu. ft.
Glass viewing area (W x H)	29" x 17 1/4"	28 3/4" x 16 1/2"	28 3/4" x 16 1/2"	29 3/4" x 19 1/2"	40 3/4" x 23 7/8"
Door type	Double retractable, with steel frame	Double, with steel frame	Double, with steel frame	Guillotine, with steel frame	Guillotine, with steel frame
Maximum log length	20"	16"	18"	18"	30"
Log positioning	East / West	East / West	East / West	East / West	East / West
Flue spigot diameter	8"	7"	8"	8"	8"
Minimum chimney height (from floor)	15'	15'	15'	15'	18'
Glass type	Ceramic glass	Ceramic glass	Ceramic glass	Ceramic glass	Ceramic glass
Fresh air intake adapter (diameter)	Yes (4")	Yes (4")	Yes (4")	Yes (4")	Yes (4")
Warranty	Limited lifetime	Limited lifetime	Limited lifetime	Limited lifetime	Limited lifetime
Test standard - Safety	ULC-S610 / UL127	ULC-S610 / UL127	ULC-S610 / UL127	ULC-S610 / UL127	ULC-S610 / UL127
Test standard - Emissions	ASTM 2515 / ASTM 2558	EPA Exempt	EPA Exempt	ASTM 2515 / ASTM 2558	ASTM 2515 / ASTM 2558
EPA voluntary program -Emissions (ASTM 2515 / ASTM 2558)	2.9 g/kg	N/A	N/A	4.0 g/kg	4.2 g/kg
Clearances to combustible materials					
Back wall	0"	0"	0"	0"	0"
Sides	0"	0"	0"	0"	0"
Floor	0"	0"	0"	0"	0"
Combustible shelf (from the base of fireplace)	48"	46"	46"	46"	52"
Side mantle ⁽¹⁾	0"	0"	0"	8"	8"
Side wall ⁽²⁾	24"	24"	24"	8"	8"
Non-combustible surround (top)	0"	0"	0"	27 1/4"	38"
Non-combustible surround (sides)	0"	0"	0"	5 3/8"	8"
Exterior dimensions and weight					
Height	43 5/8"	40 5/8"	40 1/2"	64 1/8"	74 3/4"
Width	41 1/8"	37 3/4"	36 1/8"	48 7/8"	59 1/2"
Depth	27 3/8"	25 1/4"	30 5/8"	30 3/4"	34 1/2"
Weight	236 kg (520 lb)	191 kg (421 lb)	232 kg (511 lb)	305 kg (673 lb)	417 kg (920 lb)*
Options					
Narrow overlap; painted black or brushed nickel plated	N/A	Optional	Optional	N/A	N/A
Large overlap; painted black	N/A	Optional	Optional	N/A	N/A
Modern style door; standard or folding	N/A	Optional	Optional	N/A	N/A
Blower with variable speed	Standard	Standard	Optional	N/A	N/A
Hot Air Gravity Distribution Kit (diameter)	Optional (8")	Optional (7")	N/A	N/A	N/A
Forced Air Distribution Kit (diameter)	Optional (6")	Optional (6")	N/A	N/A	N/A
Firescreen door	Standard	Standard	Standard	Standard	Standard
6" x 25' insulated flex pipe for forced air distribution kit	Optional	Optional	N/A	N/A	N/A

⁽¹⁾ Subject to a maximum protrusion - see owner's manual. ⁽²⁾ From door opening.

*Without refractory bricks.

Technical data contained in this catalogue are for reference only. Any installation must be done according to the data and drawings detailed in the Owner's manual.

Technical Data



	FP10	FP12	FP14
Color	Black	Black	Black
Combustion technology	Non-catalytic	Non-catalytic	Non-catalytic
Maximum recommended area (with forced air kit) ⁽¹⁾	2100 sq. ft.	2100 sq. ft.	1900 sq. ft.
Heating capacity - BTU/hr, EPA test wood	30,450	30,450	36,875
Heating capacity - BTU/hr, seasoned cord wood	75,000	75,000	65,000
Approximate burn time ⁽¹⁾	9 hours	9 hours	7 hours
Emissions; weighted average according to EPA tests	4.4 g/h	4.4 g/h	4.0 g/h
Optimum efficiency	75%	75%	75%
Door opening dimensions (W x H)	25 1/2" x 10 3/4"	25 1/2" x 10 1/4"	21 7/8" x 10 5/8"
Firebox dimensions (W x D)	20 7/8" x 13"	20 1/4" x 12 7/8"	19 1/8" x 12 7/8"
Firebox volume (excluding grate or andirons)	2.5 cu. ft.	2.5 cu. ft.	2.3 cu. ft.
Glass viewing area (W x H)	24 3/8" x 12 5/8"	25 1/8" x 11 1/4"	21" x 11 1/2"
Door type	Single, with steel frame	Single, with steel frame	Single, with steel frame
Maximum log length	21"	21"	18"
Log positioning	East / West	East / West	East / West
Flue spigot diameter	6" *	6"	6"
Minimum chimney height (from floor)	15'	15'	15'
Glass type	Ceramic glass	Ceramic glass	Ceramic glass
Fresh air intake adapter (diameter)	Yes (3" ou 4")	Yes (4")	Yes (4")
Warranty	Limited lifetime	Limited lifetime	Limited lifetime
Test standard - Safety	ULC-S610 / UL127	ULC-S610 / UL127	ULC-S610 / UL127
Test standard - Emissions	EPA Method 28	EPA Method 28	EPA Method 28
Clearances to combustible materials			
Back wall	0"	0"	0"
Sides	0"	0"	0"
Floor	0"	0"	0"
Combustible shelf (from the base of fireplace)	58"	48"	48" **
Side mantle ⁽²⁾	5 5/8"	5 5/8"	-
Side wall ⁽³⁾	24"	24"	16"
Non-combustible surround (top)	18"	Up to 80" ***	Up to 84" ***
Non-combustible surround (sides)	1 1/4"	0"	0"
Exterior dimensions and weight			
Height	47 1/8"	47 1/8"	36 1/2"
Width	37 7/8"	37 3/4"	37 3/4"
Depth	29 5/8"	27 3/4"	29 7/8"
Weight	184 kg (405 lb)	194 kg (427 lb)	192 kg (423 lb)
Options			
Cast iron door(s); black (ordered and sold separately)	N/A	N/A	N/A
Steel door overlay(s); painted black or brushed nickel plated	Optional	N/A	Optional
Blower with variable speed	Standard	N/A	Optional
Hot Air Gravity Distribution Kit (diameter)	Optional (8")	Mandatory (8")	Optional (7")
Forced Air Distribution Kit (diameter)	Optional (6")	Optional (6")	Optional (6")
Firescreen kit	Optional	Optional	Optional
6" x 25' insulated flex pipe for forced air distribution kit	Optional	Optional	Optional

⁽¹⁾ Approximate burn time and maximum recommended area may vary subject to location in home, chimney draft, chimney diameter, locality, heat loss factors, climate, fuels and other variables. ⁽²⁾ Subject to a maximum protrusion - see owner's manual. ⁽³⁾ From door opening. *May also be installed with a 7" chimney. See owner's manual for more details. **With the use of a heat shield for surround/shelf. See owner's manual for more details. ***From the base of fireplace.

Technical data contained in this catalogue are for reference only. Any installation must be done according to the data and drawings detailed in the Owner's manual.



Manufacturers, brands and types of approved chimneys



MANUFACTURERS*	BRANDS	TYPE	FP1LM	FP2	FP5	FP7LM	FP10	FP11	FP12	FP14
Selkirk	Ultra-Temp (UT)	1" Solid Pack		x	x	x	x	x		
Selkirk	Super Pro (SPR)	1" Solid Pack		x	x	x	x	x		
Selkirk	Super Vent (JSC)	1" Solid Pack		x	x	x	x	x		
Selkirk	Hart & Cooley (TLC)	1" Solid Pack		x	x	x	x	x		
Selkirk	Sure-Temp (ST)	1" Solid Pack		x	x	x	x	x		
Selkirk	CF Sentinel (CF)	2" Solid Pack	x	x	x	x	x	x	x	x
Selkirk	Super Pro 2100 (ALT)	2" Solid Pack	x	x	x	x	x	x	x	x
Selkirk	Super Vent 2100 (JM)	2" Solid Pack	x	x	x	x	x	x	x	x
Selkirk	UltimateOne	1" Solid Pack		x	x	x	x	x		
Security Chimney	ASHT+	1" Solid Pack	x	x	x	x	x	x	x	x
Security Chimney	S-2100 +	2" Solid Pack	x	x	x	x	x	x	x	x
Simpson Dura Vent	Dura Tech	1" Solid Pack	x	x	x	x	x	x	x	x
Simpson Dura Vent	Dura Plus HTC	2" Solid Pack	x	x	x	x	x	x	x	x
Simpson Dura Vent	Dura Plus	AC Triple Wall		x			x	x	x	
ICC	Excel 2100	1" Solid Pack	x	x	x	x	x	x	x	x
Metal Fab	Temp Guard	1" Solid Pack	x	x	x	x	x	x	x	x
American Metal	HSS	AC Triple Wall		x			x	x	x	
American Metal	HS	AC Triple Wall		x			x	x	x	
Olympia Chimney	Ventis	1" Solid Pack	x	x	x	x	x	x	x	x
FMI (USA only)	AC	AC Triple Wall		x			x	x	x	

*Specific components may be required depending on the chimney manufacturer.

Technical data contained in this catalogue are for reference only. Any installation must be done according to the data and drawings detailed in the Owner's manual.

Fireplace



tool sets



Valcourt offers a new range of distinct and exceptional quality fireplace tool sets, to feed and maintain the fire in your home.



CODE : # AC02620



CODE : # AC02621



CODE : # AC02622



CODE : # AC02623



CODE : # AC02624



CODE : # AC02625



CODE : # AC02627



CODE : # AC02350

DUPLEX FIREPLACE TOOL SET	INEO FIREPLACE TOOL SET	PAPYRUS FIREPLACE TOOL SET	TORSADE FIREPLACE TOOL SET	ABRIK FIREPLACE TOOL SET	SILHOUETTE FIREPLACE TOOL SET	FUSIO LOG HOLDER	EQUISS LOG HOLDER
Contains four instruments: poker, broom, shovel and clamp. The clean lines and combination of steel and wood construction make a strong contemporary design statement.	Contains four instruments: poker, broom, shovel and clamp. The clean lines and simplicity make a strong contemporary design statement.	Contains four instruments: poker, broom, shovel and clamp. The dramatic use of steel makes a strong contemporary design statement.	Contains four instruments: poker, broom, shovel and clamp. The elegant curved steel makes a strong contemporary design statement.	Contains four instruments: poker, broom, shovel and clamp. The clean lines and the geometric sides and base make a strong contemporary design statement.	Contains four instruments: poker, broom, shovel and clamp. The simple yet dramatic shape, along with stainless steel handles, make a strong contemporary design statement.	This distinctive log holder combines steel and beech wood, and can be set in two positions. Its curved shape makes a strong contemporary design statement. Make your life simpler by fueling your fire without ever being caught unprepared.	Made of high quality steel. Its integrated handles make handling easier. Two identical parts that intersect easily. Assembly and disassembly in seconds for compact storage.
Height of accessories: 19 1/2" (50 cm)	Height of accessories: 19 1/2" (50 cm)	Height of accessories: 19 1/2" (50 cm) Base diameter: 7 1/2" (19 cm)	Height of stand: 22 1/2" (57 cm) Base diameter: 7 1/2" (19 cm)	Height of stand: 22 1/2" (57 cm) Dimensions of square base: 7" (18 cm) X 7" (18 cm)	Height of stand: 22 1/2" (55 cm) Length: 13 1/4" (34 cm) Depth: 6" (15 cm)	Height: 22 1/2" (55 cm) Length: 18 1/2" (47 cm) Depth: 22 1/2" (55 cm) Weight: 17 1/2 lb (8 kg)	Height: 15 1/4" (38 cm) Length: 24 1/4" (61 cm) Depth: 13" (33 cm) Weight: 28 1/2 lb (13 kg)
Made in France.	Made in France.	Made in France.	Made in France.	Made in France.	Made in France.	Made in France.	Made in Canada.



Our lifestyle is defined by who we are.

Our home is where we lay the foundations of our lifestyle. Harmony, warmth and peace are generated by who we are, and is reflected in the character of our home. Our personalities fill our living space as we appreciate simple comforts in our daily life. In colder climates, a wood burning fireplace will provide harmony with nature, while warming the family with a special sense of peace and security that only comes from wood heat.

Soapstone fireplaces have no match in creating character and their unique, exclusive style will make your home a special showplace.



Soapstone Masonry Fireplaces

Simplify: One central beautiful Soapstone Fireplace will likely heat your entire home comfortably.

Enjoy: Imagine the smell of warm bread coming from the built-in soapstone oven, which is always warm, allowing you to cook anytime including a late night pizza.

Focus: Your Valcourt Soapstone fireplace not only become the centerpiece of your home, it also brings a destination for your family to find warmth, comfort and peace.

Peace: A Soapstone Fireplace heats your home quietly. No noisy furnace sound or air blowing from vents. Within this quiet home, imagine enjoying your favorite music while watching a beautiful winter snowfall with no other distraction!

We at Valcourt are always striving to provide a green tomorrow for our children: Soapstone fireplaces have an exceptional capacity to burn renewable wood cleanly while absorbing the maximum heat from the fire. The heat will then evenly radiate into your home. Each single fire will heat your home for hours after the fire is out. Unlike using fossil fuels, the soapstone wood burning fireplace uses a renewable resource in a very efficient manner, thus reducing the homeowner's carbon footprint.

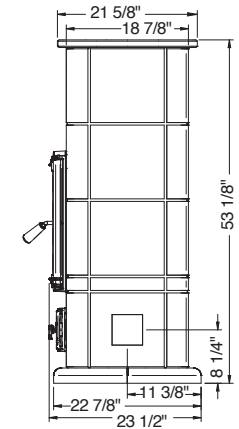
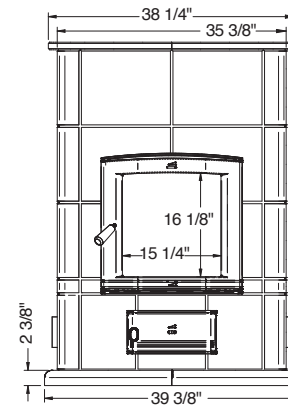
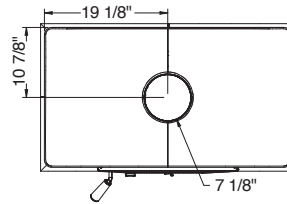
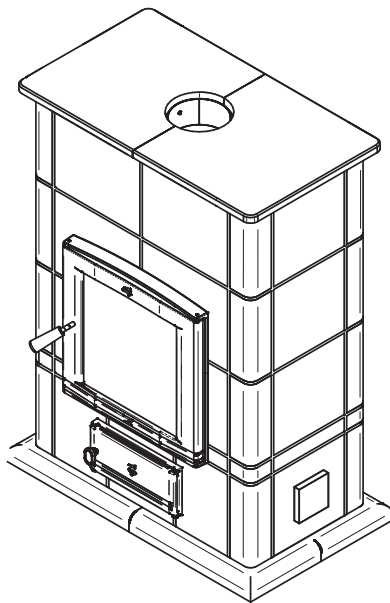
Get closer to nature: Valcourt's Soapstone Fireplaces are made of 100% natural Soapstones. This local product is quarried in Quebec, Canada. Unlike other soapstone, our product does not come from overseas. You might say that the Soapstone is *grounding us to the earth*.



FM400
Soapstone wood fireplace.

FM400

The FM400 soapstone fireplace is the smallest of the line, but remains unparalleled in its ability to create a warm atmosphere. Its exclusive styling will give your home the unique character it deserves. Soapstone fireplaces burn wood exceptionally clean and with a high efficiency. This fireplace will spread heat slowly and evenly throughout your home for several hours after the fire is out.



Features

- Recommended Heating Area (sq. ft.): < 700
- Easy-to-access ash drawer
- Minimum burn rate: 10 lb/h
- Maximum combustion time: 2 h
- Heat diffusion: up to 18 hours
- Recommended chimney diameter: 6"

Technical data contained in this catalogue are for reference only. Any installation must be done according to the data and drawings detailed in the Owner's manual.

This appliance is
**EPA
exempt**



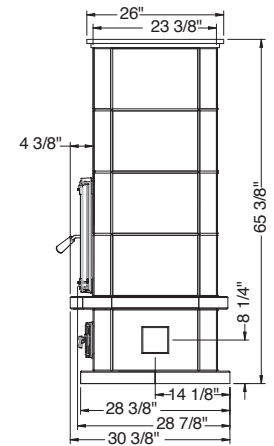
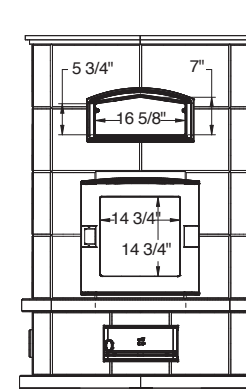
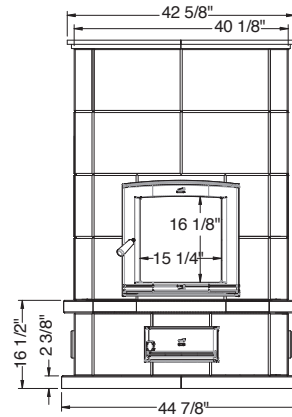
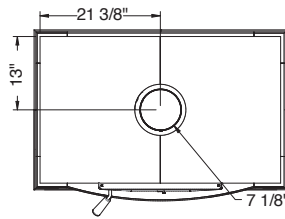
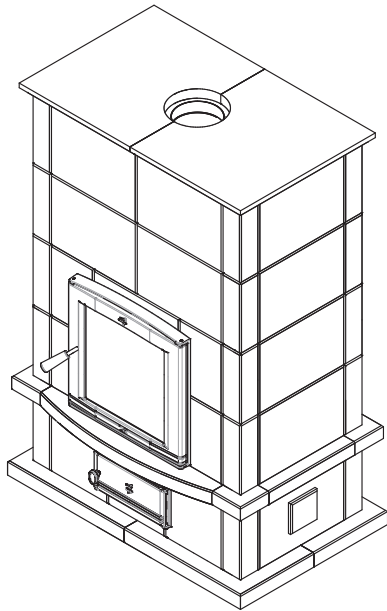
FM1000
Soapstone wood fireplace.

FM1000FO
Soapstone wood fireplace with oven.

FM1000

The FM1000FO fireplace will bring new elegance to your home. Its soapstone structure combines heating efficiency with an environmentally-friendly design. If you enjoy cooking, its integrated oven will be an indispensable ally.

Valcourt's FM1000 soapstone fireplace has a sturdy design and unique styling to match your room's décor. In addition to its high efficiency output, the soapstone releases a unique warmth, surrounding you with calm and serenity.



Features

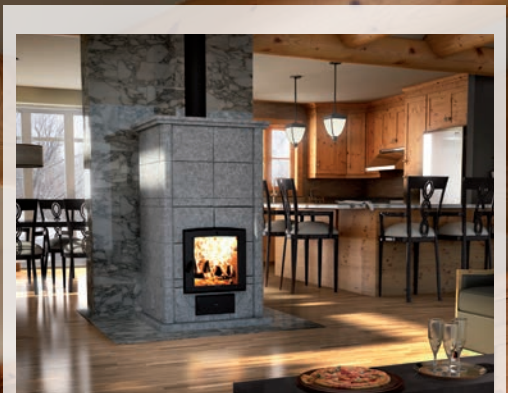
- Recommended Heating Area (sq. ft.): < 1,200
- Easy-to-access ash drawer
- Minimum burn rate: 12 lb/h
- Maximum combustion time: 2 h 30
- Heat diffusion: up to 20 hours
- Recommended chimney diameter: 6"

Available models

- FM1000FO - with oven
- FM1000

Technical data contained in this catalogue are for reference only. Any installation must be done according to the data and drawings detailed in the Owner's manual.

This appliance is
**EPA
exempt**



FM1200
Soapstone wood fireplace.



FM1200FO
Soapstone wood fireplace with oven.

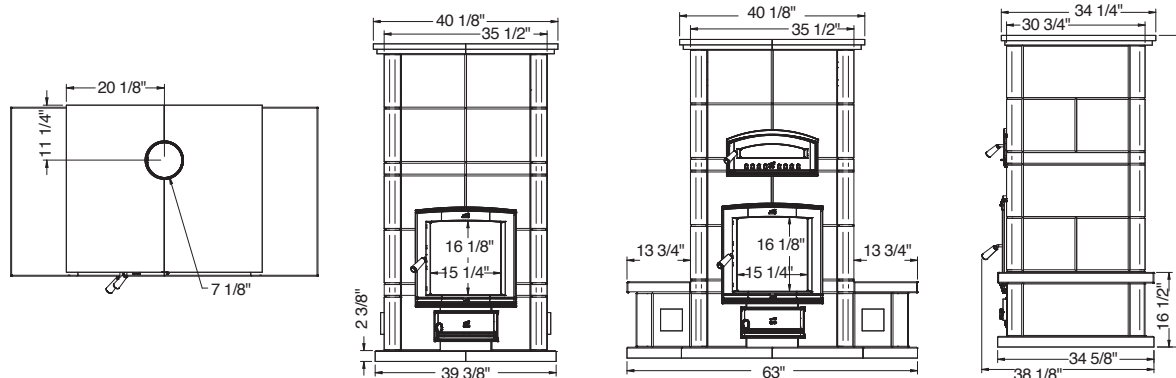
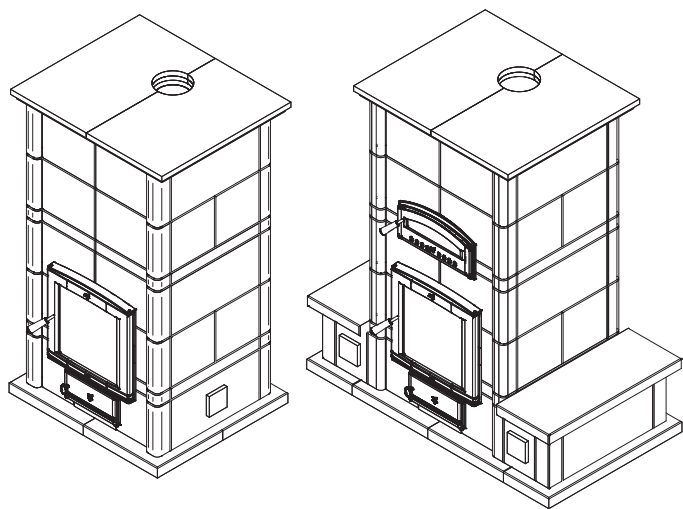
FM1200FOB
Soapstone wood fireplace with oven and benches on both sides.

With its modern and refined style, the FM1200 fireplace will draw attention. Its soapstone design spreads heat through slow radiation, providing a sensation of enveloping warmth and unique comfort. You can say goodbye to the winter chills. What better way to relieve the day's stress than to take a load off beside your warm fireplace?

FM1200FOB model includes an oven and benches on both sides.

FM1200FO model includes an oven.

FM1200FOB



Features

- Recommended Heating Area (sq. ft.): < 1,400
- Easy-to-access ash drawer
- Minimum burn rate: 12 lb/h
- Maximum combustion time: 2 h 30
- Heat diffusion: up to 24 hours
- Recommended chimney diameter: 6"

Available models

- FM1200
- FM1200FO - with oven
- FM1200FOB - with oven and benches on both sides

Technical data contained in this catalogue are for reference only. Any installation must be done according to the data and drawings detailed in the Owner's manual.

This appliance is
**EPA
exempt**



FM1500FO
Soapstone wood
fireplace with oven.



FM1500FOB
Soapstone wood
fireplace with oven
and benches
on both sides.



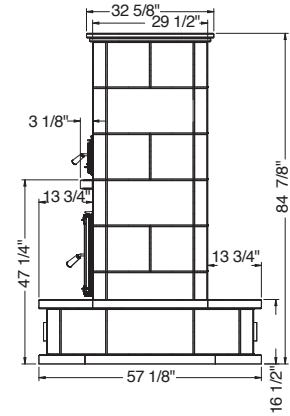
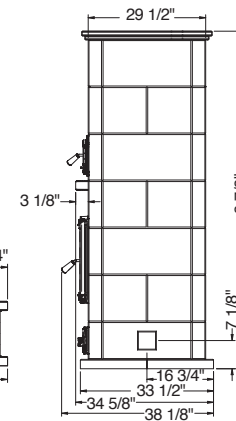
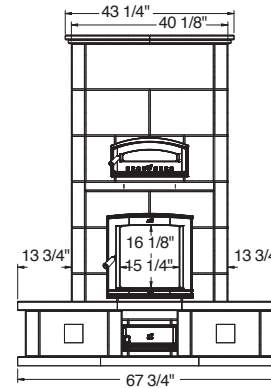
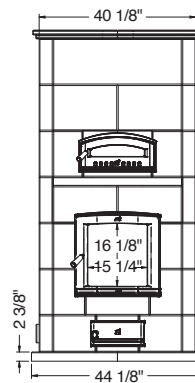
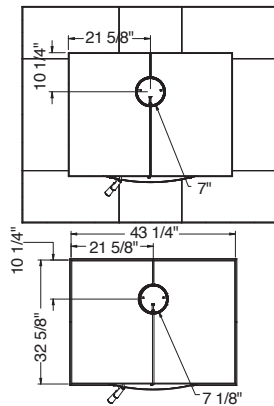
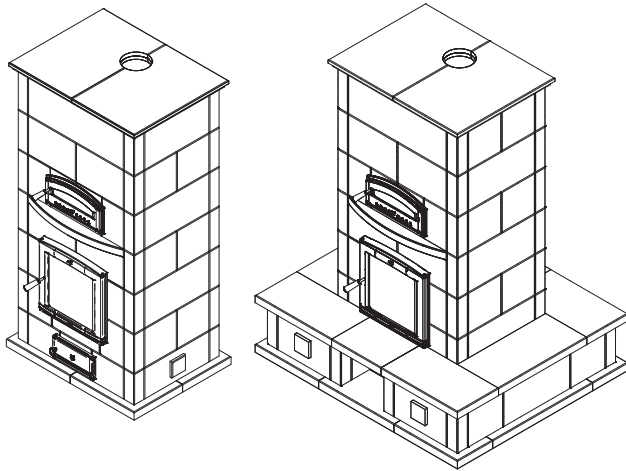
FM1500FOB4
Soapstone wood fireplace with oven and benches on four sides.

The classy and majestic FM1500FOB4 fireplace is unparalleled in its ability to warm body and spirit. Its 4 benches and integrated oven are perfect for hosting family and friends. The soapstone design conducts and holds in heat, while its magnificent pearl-grey stones will match any decor.

FM1500FOB model includes an oven and benches on both sides.

FM1500FO model includes an oven.

FM1500FOB4



Features

- Recommended Heating Area (sq. ft.): < 1,700
- Easy-to-access ash drawer
- Minimum burn rate: 13.3 lb/h
- Maximum combustion time: 3 h
- Heat diffusion: up to 24 hours
- Recommended chimney diameter: 7"

Available models

- FM1500FO - with oven
- FM1500FOB - with oven and benches on both side
- FM1500FOB4 - with oven and benches on four sides

Technical data contained in this catalogue are for reference only. Any installation must be done according to the data and drawings detailed in the Owner's manual.

This appliance is
**EPA
exempt**

Technical Data



	FM400	FM1000	FM1200	FM1500
Width (without benches)	39 3/8"	44 7/8"	40 1/8"	43 1/4"
Depth (without benches)	23 1/2"	30 3/8"	38 1/8"	38 1/8"
Height	53 1/8"	65 3/8"	69 1/8"	84 7/8"
Weight	2800 lb	4000 lb	4500 to 6000 lb *	7000 to 9500 lb *
Recommended chimney diameter	6"	6"	6"	7"
Firebox dimensions (Width)	16"	17 1/2"	11 3/4"	16 3/4"
Firebox dimensions (Depth)	12"	14 1/4"	18 7/8"	19 5/8"
Firebox dimensions (Height)	20"	18 7/8"	17 1/8"	21 1/4"
Firebox volume	2 cu. ft.	2.8 cu. ft.	2.8 cu. ft.	4,3 cu. ft.
Log length	16"	16"	16"	18"
Glass surface (Width x Height)	15 1/4" x 16 1/8"	15 1/4" x 16 1/8"	15 1/4" x 16 1/8"	15 1/4" x 16 1/8"
Ash drawer	Standard	Standard	Standard	Standard
Oven	N/A	Optional	Optional	Standard
Benches (2 sides)	N/A	N/A	Optional	Optional
Benches (4 sides)	N/A	N/A	N/A	Optional

* Depends on options installed.

Technical data contained in this catalogue are for reference only. Any installation must be done according to the data and drawings detailed in the Owner's manual.

Warranty



Valcourt Limited Lifetime Warranty on Robax Ceramic Glass

The VALCOURT-SCHOTT ROBAX system is one of the highest quality glass and heater product combination on the market. This allows VALCOURT to offer a Limited Lifetime Warranty on Robax ceramic glass for all VALCOURT appliances.

Conducted consumer studies identify that people want an unobstructed view of the fire, but without compromising safety. The glass "shield" is seen as the needed protection from the fire's unpredictable aspects. VALCOURT chose the SCHOTT ROBAX solution delivering all of the benefits that a consumer wants out of a fire but without the risks associated to it.

Because the way the entire system works together (SCHOTT ROBAX ceramic glass and VALCOURT technology), it is the most efficient glass solution available in the market given its high IR transmission values and its high temperature resistance. A high IR transmission means that the heat produced inside the fire box is transferred through the glass more efficiently. The VALCOURT-SCHOTT ROBAX ceramic glass can withstand the highest temperatures of any glass on the market.

For more details go to: www.valcourtinc.com



DESCRIPTION	PARTS
•Welds of combustion chamber	LIFETIME
•Ceramic glass	LIFETIME
•Burn tubes	LIFETIME
•Plating	LIFETIME

Limited Lifetime



Safety tested and verified according to USA and Canada Standards by an accredited laboratory.



Valcourt
The Fireplace of Your Dreams

www.valcourtinc.com

