

# *Valcourt* FP7

PREFABRICATED WOOD-BURNING FIREPLACE

## **INSTALLATION AND OPERATION MANUAL**

Keep this manual for future reference



# *Valcourt*

Standards: ULC-S610  
UL-127  
E.P.A. Standards Exempt

Revised: January 2008

Web Site: [valcourtinc.com](http://valcourtinc.com)





# **TABLE OF CONTENTS**

	Page
INTRODUCTION .....	4
INSTALLATION .....	5
Fireplace Installation .....	8
Chimney Installation .....	10
Masonry Chimney Installation.....	10
Fireplace Finish.....	13
USE AND SAFETY .....	18
Creosote .....	19
Chimney Fire Safety Procedures.....	19
MAINTENANCE .....	20
Replacing Glass.....	20
Replacing Firestone .....	21
TROUBLESHOOTING.....	22
VALCOURT LIMITED LIFETIME WARRANTY .....	23
APPENDIX A.....	24
Exploded View .....	25
Parts List.....	26
Warranty Registration Cardd .....	27
Certification Plate .....	27

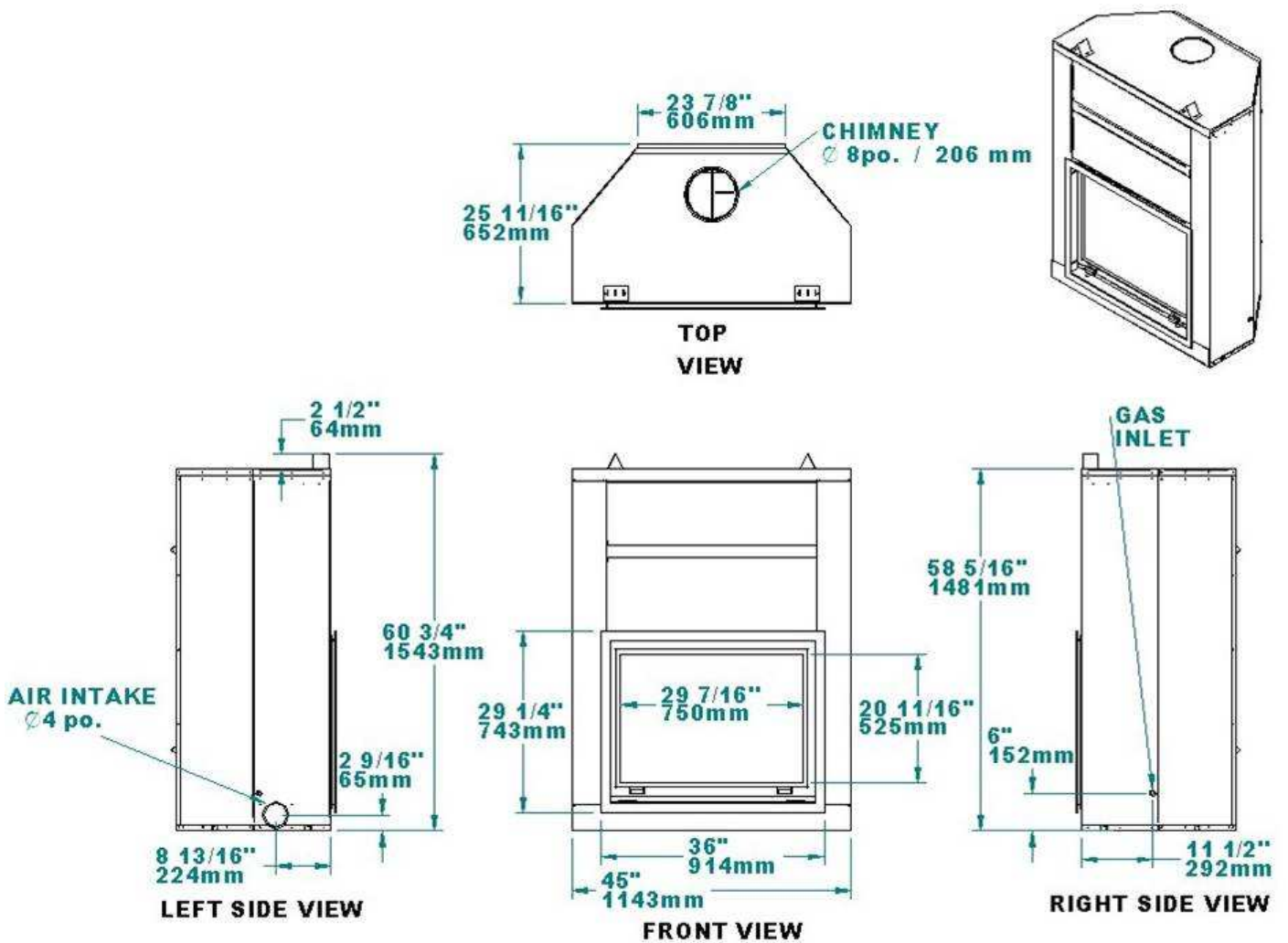
# INTRODUCTION

This manual contains all the information required for safe, efficient installation and use of your Valcourt fireplace. Read carefully all the instructions contained herein and keep this manual handy so you may refer to it whenever necessary.

Before starting to install the fireplace, consult local authorities to obtain a building permit and learn about all applicable regulatory requirements.

Do not install this fireplace in a mobile home.

Figure #1: Antoinette Fireplace Dimensions



## INSTALLATION

This fireplace is designed and approved for installation with the following brands of chimneys measuring 8” (203 mm) in diameter as well as a minimum of 15’ (4.6 m) and maximum of 45’ (13.7 m) in height.

* FMI AC (U.S. Only)	SuperVent (GSW) Alternative, Superpro
Sécurité ASHT+; ASHT	Oliver MacLoed HT 6103
Sécurité S2100+; S2100	Oliver Macloed HT 6000
Selkirk, sentinel(CF); Superpro 2100(ALT); Supervent 2100 (JM)	Selkirk, Ultra-Temp(UT); Sure-Temp(ST); Superpro(SPR), Supervent(JSC); Hart&cooley(TLC)
Energy Vent Commander HT 5013	Energy Vent Commander HT 5000
SuperVent (GSW) FC, Max	ICC Excel 2100-3
Simpson Duratech	Simpson Duraplus HTC

No other device must be added to the chimney connected to the fireplace.

Install the fireplace strictly according to the methods described herein and ensure proper clearance is provided to combustibles. Use only the parts and chimneys specified in this manual. **Any non-compliance with these directions could create a hazardous situation, thus voiding the certification and the warranty.**

**ATTENTION: Do not modify or adapt the fireplace’s construction or components. This would void the warranty. In this event, VALCOURT would not be held responsible for any damages which may occur.**

Choose the best location for your fireplace based on the position of the doors and windows and room air flow. Provide for the positioning of the outside air inlet as well as the chimney. Remember to leave sufficient space for the hearth extension and mantel. If possible, install the fireplace where it will not be necessary to cut any floor or ceiling joists. (Figure #2)

There are several possibilities for the chimney’s configuration. See Figure #3 to determine the appropriate configuration for your home. The straighter the chimney, the easier it will be to clean and maintain.

For optimal performance, install the chimney indoors if possible. In areas where temperatures are consistently below freezing (32°F/0°C), installing the chimney outdoors promotes functional problems such as insufficient draft, excessive creosote buildup, and difficult fire ignition. In addition, outdoor chimneys are subject to decreases in pressure and smoke flow reversal. Fireplaces with outdoor chimneys installed on lower floors (basements) are particularly prone to smoke flow reversal.

Figure #2: Various Fireplace Locations

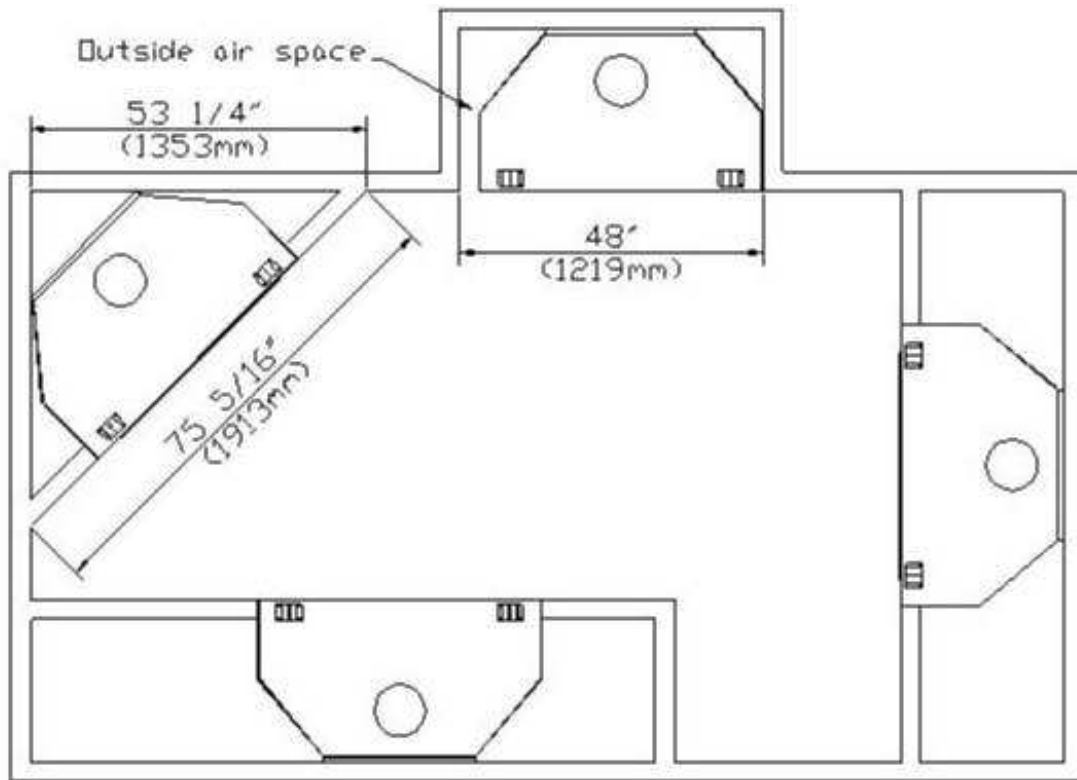
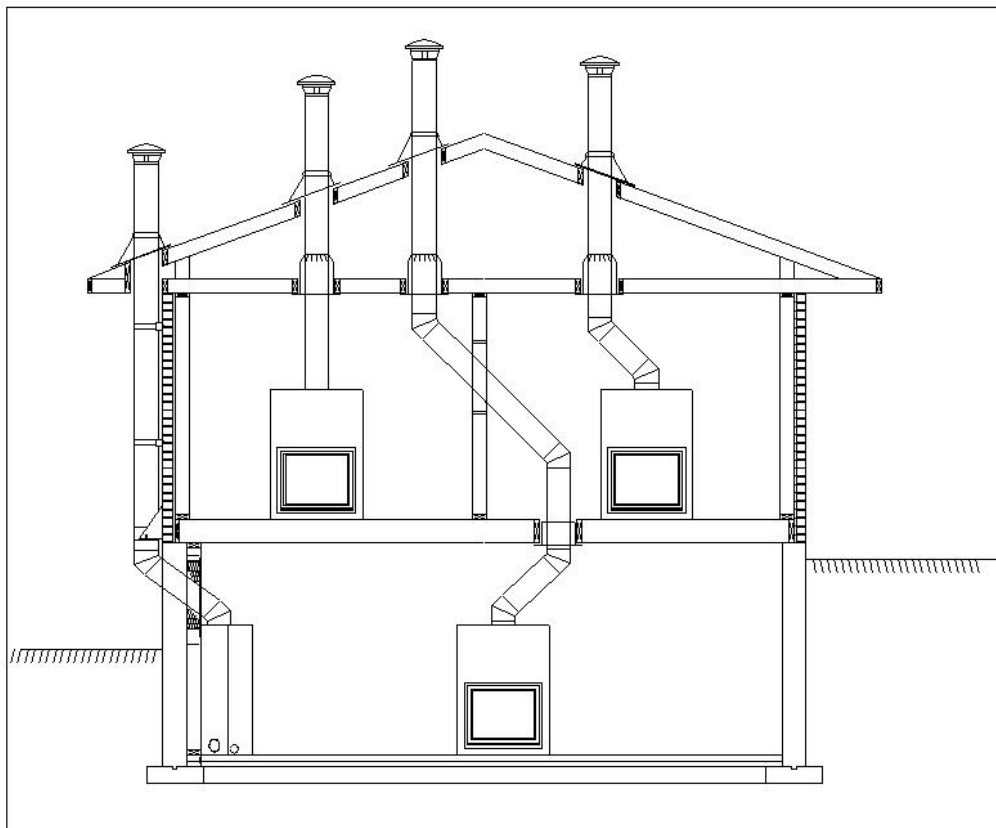


Figure #3: Possible Chimney Configurations



The table below shows the minimum chimney height requirements, fireplace included, according to the number of elbows:

Chimney	Number of Elbows	Minimum Height
Straight installation	-----	15' (4.6 m)
1 - 15° offset	2 - 15° elbows	15' (4.6 m)
2 - 15° offsets	4 - 15° elbows	18' (5.5 m)
1 - 30° offset	2 - 30° elbows	15' (4.6 m)
2 - 30° offsets	4 - 30° elbows	20' (6.1 m)
* 1 - 45° offset	* 2 - 45° elbows	16' (4.9 m)
* 2 - 45° offsets	* 4 - 45° elbows	23' (7.0 m)

\* Permitted only in Canada.

You can also install a decorative gas appliance in the hearth. To do this, install an automatic shut-off valve. Comply with ANSI Z21.60 (1991) standards governing “Decorative Gas Appliances” in vented fireplaces and ANSI Z233.1 with regards to the National Gas Code.

**ATTENTION: ALWAYS OPEN THE CHIMNEY DAMPER TO ITS MAXIMUM POSITION WHEN USING A DECORATIVE GAS APPLIANCE. THIS FIREPLACE HAS NOT BEEN TESTED WITH AN UNVENTED GAS LOG APPLIANCE. TO REDUCE THE RISK OF FIRE OR INJURY, DO NOT INSTALL A GAS LOG APPLIANCE WITHOUT A VENT PIPE.**

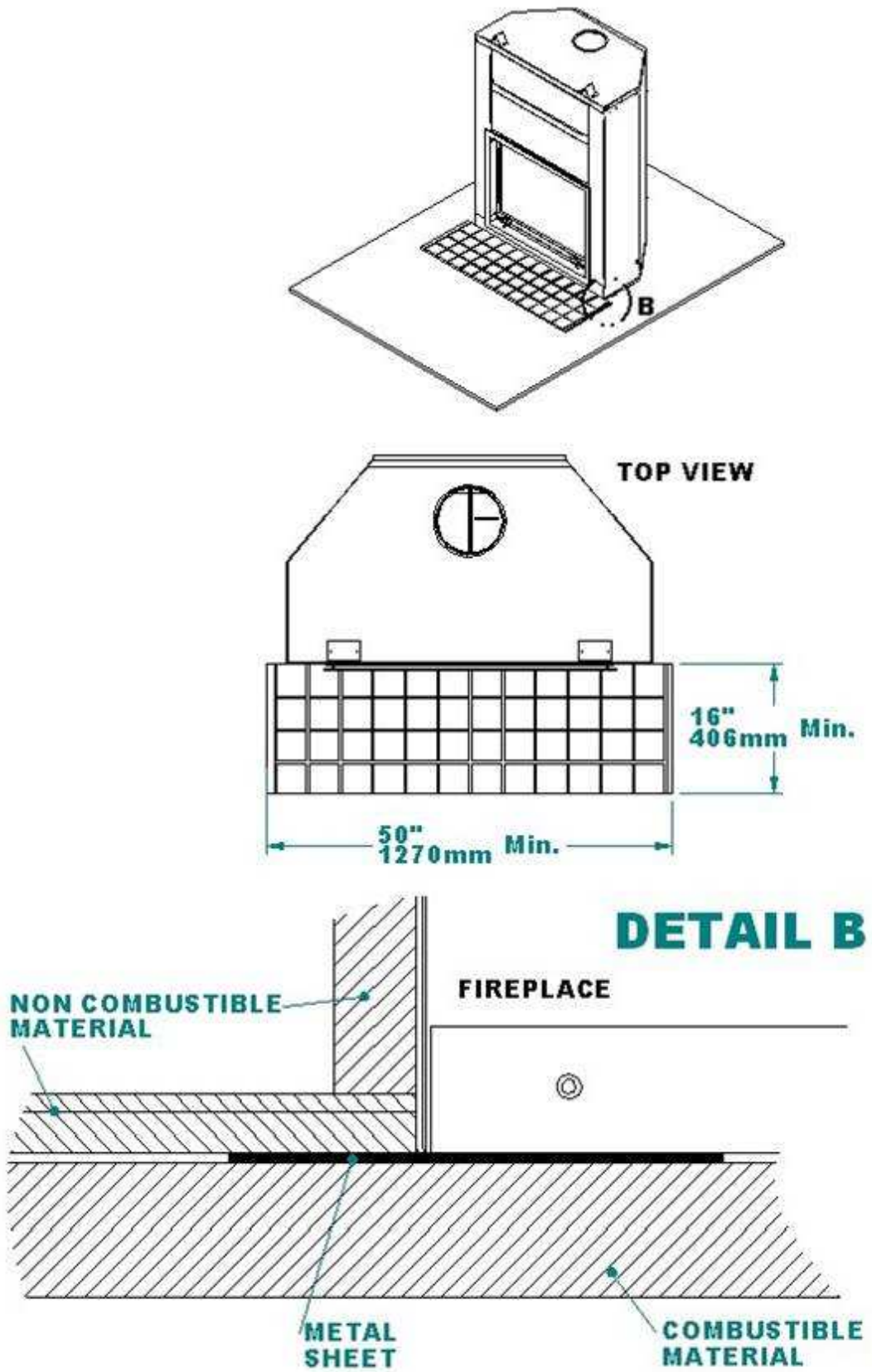
**ATTENTION: IF THE INSTALLATION REQUIRES THAT THE CHIMNEY PASSES THROUGH AN EXTERIOR WALL, THE CEILING HEIGHT MUST HAVE A MINIMUM OF 84” AND/OR ALLOW THE INSTALLATION OF THE INTERIOR PORTION OF THE CHIMNEY AND FIRE-STOP WITHOUT MODIFYING ITS INTEGRITY. (figure 3)**

## **FIREPLACE INSTALLATION**

1. Before beginning installation, remove the fireplace trim to protect it from damage. The fastening screws are located on each side of the fireplace trim. Make sure no masonry products or acids come into contact with the trim as these may discolor the finish which is not under warranty.
2. Remove all combustible floor coverings, e.g. carpeting, linoleum, etc., from the area where the fireplace is to be installed.
3. The fireplace can be installed directly on the floor or on a platform made of combustible materials, such as wood or plywood or any other hard, sturdy surface.
4. A 50" x 16" (1270 mm x 407 mm) minimum hearth extension made of non combustible material is required. The extension can be installed below the base of the fireplace or flush mounted. (Figure #4)
5. To prevent any burning embers falling between the fireplace and the hearth extension from coming into contact with the floor, insert a metal sheet under the front of the fireplace. This sheet must extend 4" (100 mm) on both sides of the fireplace and 2" (50 mm) in front. The non combustible hearth extension should rest on the 2" (50 mm) band of sheet metal in front. You can also prevent embers from falling in the joint between the fireplace and the hearth extension by filling it with mortar grout. (Figure #4)
6. To anchor the fireplace to the floor, unfold the lower metal attachments and screw them to the floor using 1" (25 mm) screws.
7. Any wall at a right angle with the appliance's face can bolt directly against the side of fireplace. (Figure #11)
8. Place the appliance in the desired location. It must directly bolt against the finished wall and not the insulation or a vapor barrier. **Do not add any insulation.**
9. The standards in your area may require an outside air inlet. Even if this is not the case, it is beneficial to do so as this will improve the fireplace's performance. Install a flexible air duct that is 4" (102 mm) in diameter and a maximum length of 20' (6.1 m). If a longer duct is required, increase the diameter to 6" but the maximum length will then be 40' (12.2 m). The outside air intake must not come from a garage, carport, basement, attic or the chimney's enclosure.
10. Install the outside air inlet in a place where it is unlikely to become blocked by snow and is sheltered from high winds. Make sure it is far from the gas meter or any other device that may emit fumes or gases, such as automobile exhaust.
11. Once you have decided on the location of the outside air inlet, drill a 4¼" (108 mm) hole in the wall. Insert the inlet grill in the hole from the outside and screw it to the wall with four 1" (25 mm) screws.
12. From the inside, insert the insulated flexible duct and attach it to the inlet grill with aluminum duct tape or ¾" (19 mm) metal screws.
13. On the lower left side of the fireplace, remove the metal piece blocking the air intake. Insert the adaptor included with the fireplace and screw it in place using two ¾" (19 mm) metal screws. Using an adjustable collar or aluminum duct tape, attach the flexible duct to the adaptor.



Figure #4: Hearth Extension Installation



## **CHIMNEY INSTALLATION**

1. Assemble the first chimney section with the adaptor (provided by the chimney manufacturer) using three ¾" (19 mm) screws.
2. Screw this assembly to the fireplace using four ¾" (19 mm) screws, taking care not to block the rotation of the flue damper key.
3. Continue the installation as per the instructions in the chimney manufacturer's manual. (Figures # 5, 6, 7, 8, 9)
4. Provide a 2" (51 mm) clearance between the chimney and any combustible material. To prevent overheating, never obstruct this clearance nor fill it with insulation or any combustible material. (Figure #12)
5. The chimney must rise at least 3' (914 mm) over its juncture with the roof and exceed by at least 2' (610 mm) any wall, roof or building located within a radius of 10' (3 m). Any length of chimney exceeding the roof by 5' (1.5 m) or more, must be braced using tie rods or guy wires. (Figure #10)
6. To limit creosoting, it is strongly recommended that an empty enclosure space be left between the chimney stack and the outer framing of the chimney. Make sure that at all points a minimum clearance of 2" (51 mm) separates the chimney and any combustible materials.

**NOTE:** Since May 1997, whatever the type of fireplace or building, safety standards require that the fireplace and the full length of the interior chimney up to the ceiling be enclosed. (Figure #12)

## **MASONRY CHIMNEY INSTALLATION**

**WARNING:** Before starting installation, the masonry chimney must be inspected by a qualified sweep.

### **Installation with an 8 in. EXCEL chimney**

Installing your fireplace with a masonry chimney still requires using EXCEL chimney from the top of the fireplace to the wall where it will connect to a listed liner that will run up inside the masonry chimney.

The stainless steel liner should be fitted inside the clay liner all the way to the top of the masonry chimney. It is not meant to replace the clay liner. You can use either the EXCEL liner or any other listed liner or flexible liner to ULC-S635, ULC-S640 or UL777.

Special care is to be taken to make sure that you have a good solid connection between the EXCEL chimney and the liner. A masonry adaptor (FO-FDM8) was designed specially for that purpose and is available from your RSF dealer. It will attach to the liner with 3 stainless rivets (provided) and to the EXCEL chimney with 3 screws (provided).

After mortaring in place, the connection between the EXCEL chimney and the liner should not be visible in order to isolate the heat released through the liner from the fireplace enclosure.

You must install at least one 18" length of EXCEL chimney after the EXCEL chimney elbow. The uppermost part of the excel chimney- where it enters the masonry chimney – must be a minimum of 12" from the ceiling.

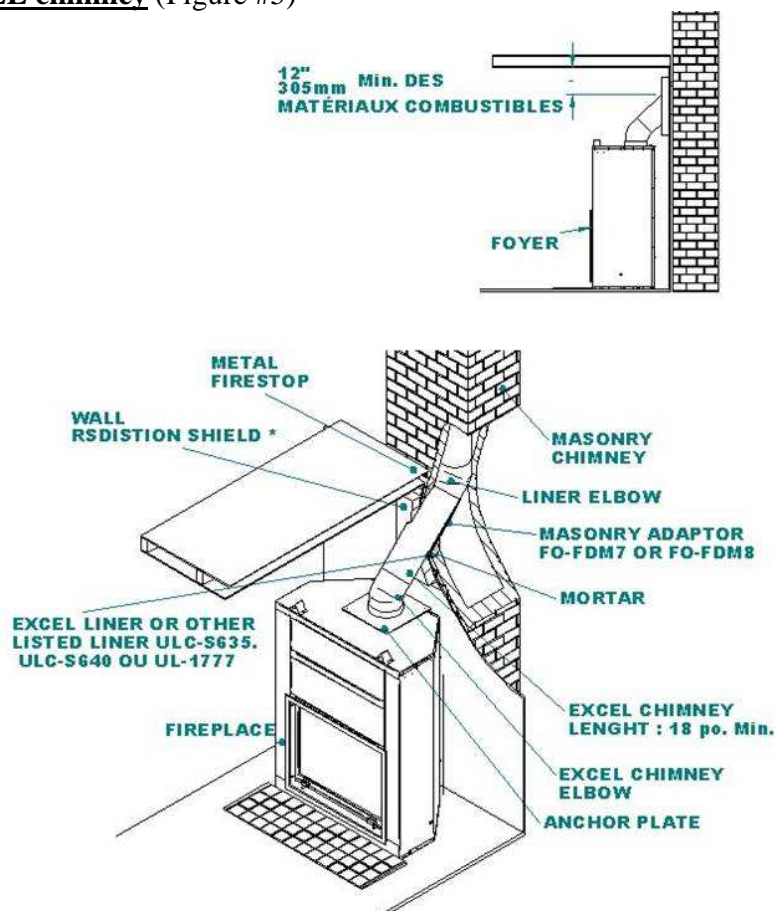
**NOTE:** If the ceiling is high enough, you can install one or more EXCEL chimney lengths directly on the fireplace before the elbow.

To make the hole through the masonry chimney and make the connection to the fireplace, we recommend that you follow these steps:

1. Sight-in and mark the outline of where the EXCEL chimney will penetrate the masonry chimney.
2. Using a large (3/4"-2") masonry drill bit, drill a hole exactly in the center of the oval outline. With a masonry hammer and drill, slowly enlarge the hole to the size required. Remember to work from the center out. Be especially careful with the clay liner behind the brick because three sides of it must stay in place.
3. Bring the stainless steel liner down from the top of the chimney. If you are using a rigid liner you will need enough room to secure an elbow to it with at least two screws. If it difficult to install rigid stainless steel liner in the existing masonry chimney or for a masonry chimney with less than 10" x 10" inside, a listed stainless steel flexible liner can be used along with a flexible/ rigid adaptor (LM-7LAF) available from your ICC dealer.
4. Install the liner elbow and masonry adaptor on the lower end of the liner.
5. Move the fireplace forward enough to install the EXCEL chimney on the fireplace (elbow and length) then move the fireplace back into position as you connect the masonry adaptor to the EXCEL chimney.

**NOTE:** The stainless steel flexible liner must be installed inside the clay liner. It is not meant to replace the clay liner.

**Installation with EXCEL chimney** (Figure #5)



\* NEEDED IF THE CHIMNEY PASS THROUGH A COMBUSTIBLE WALL

Figure #6: Straight Chimney Installation

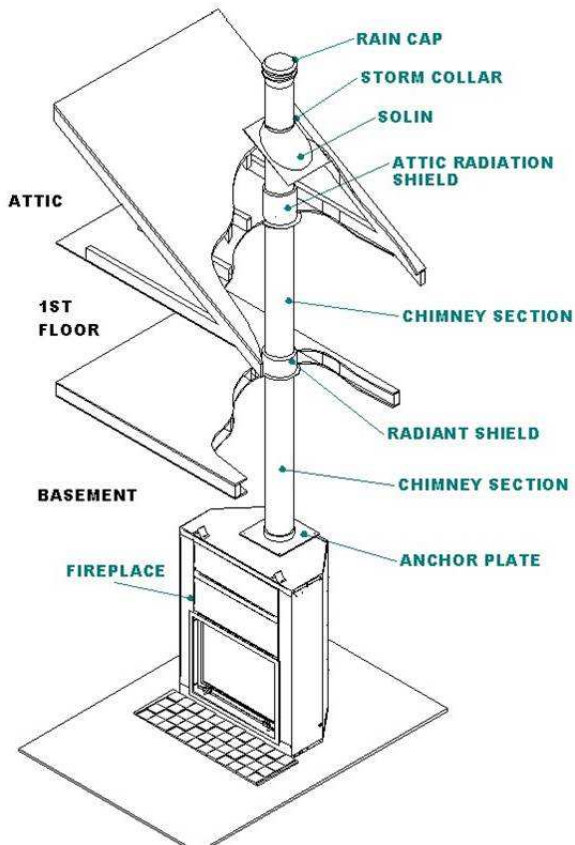


Figure #7: Chimney with Elbows Installation

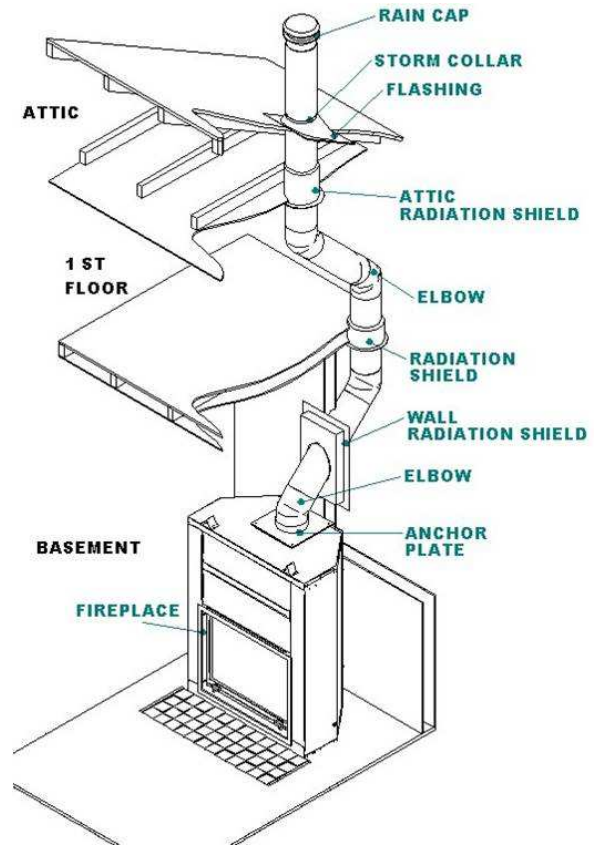


Figure #8: Exterior Chimney Installation

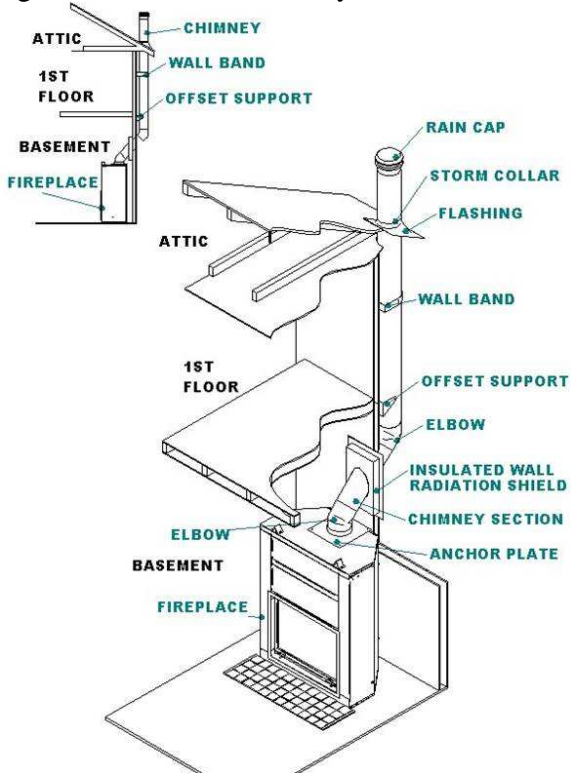


Figure #9: Insulated Chase Installation

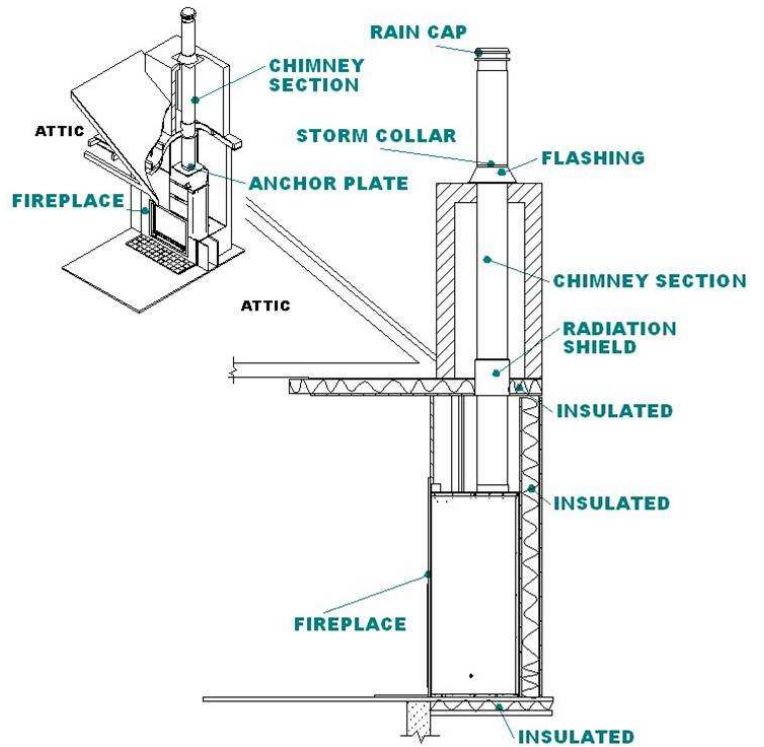
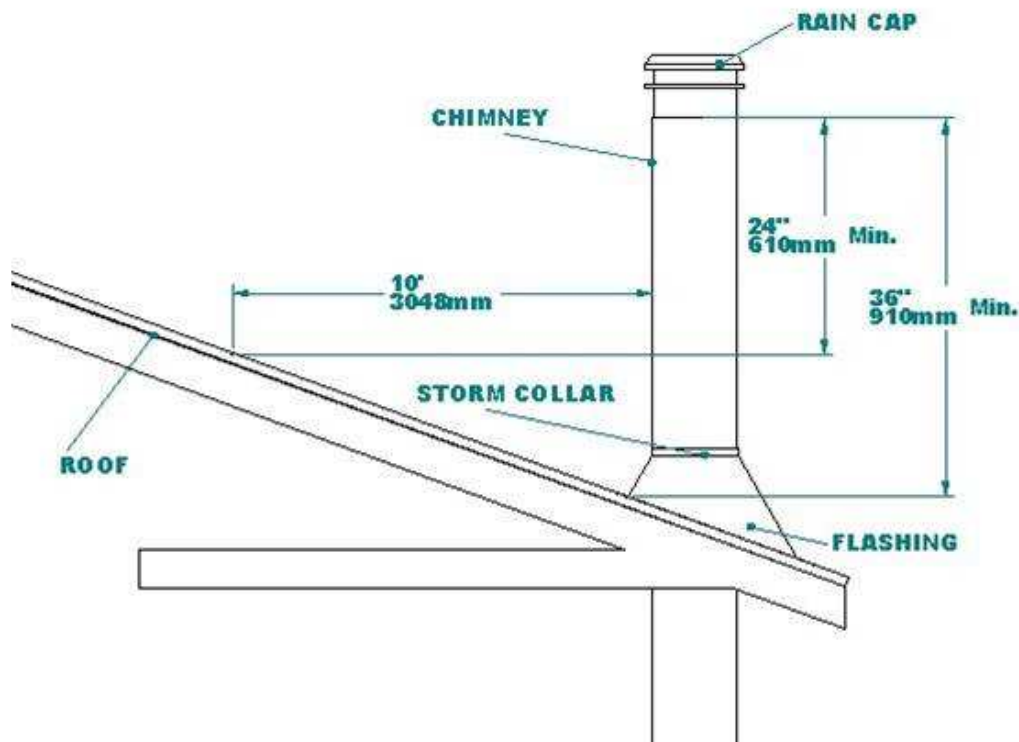


Figure #10: Minimum Chimney Height



## **FIREPLACE FINISH**

1. Combustible materials can be used to finish the fireplace. The framing can be built directly on the sides and back of the appliance. (Figure #11)
2. Non combustible materials must be used to finish the fireplace's face. Ex: durock (Figure #14)
3. To enclose the top of the finish, it must reach at least 84" (2133 mm) in height from the base of the fireplace. **Do not insert insulation in the chimney enclosure.** (Figure #12)
4. To avoid overheating the walls of the enclosure, a minimum 2" (51 mm) clearance must be provided between the chimney and any combustible materials. The side walls of the enclosure must not angle over the appliance and should be parallel to its sides, rising straight up to the ceiling. Never fill the enclosure space with insulation or any combustible material. (Figure #12)
5. If the mantel is made of combustible materials, it must be installed at a height of at least 46" (1168 mm) from the base of the fireplace. (Figure #13)

### **Fireplace Facing**

- 6.1 Remove the decorative trim.
- 6.2 Install the facing material (marble, ceramic tile, Durock, brick, etc.).
- 6.3 Reinstall the decorative trim. (Figure #14)

NOTE: Any accessible chimney must have a chase built around it off or finished to prevent contact.

Figure #11: Fireplace Finishing

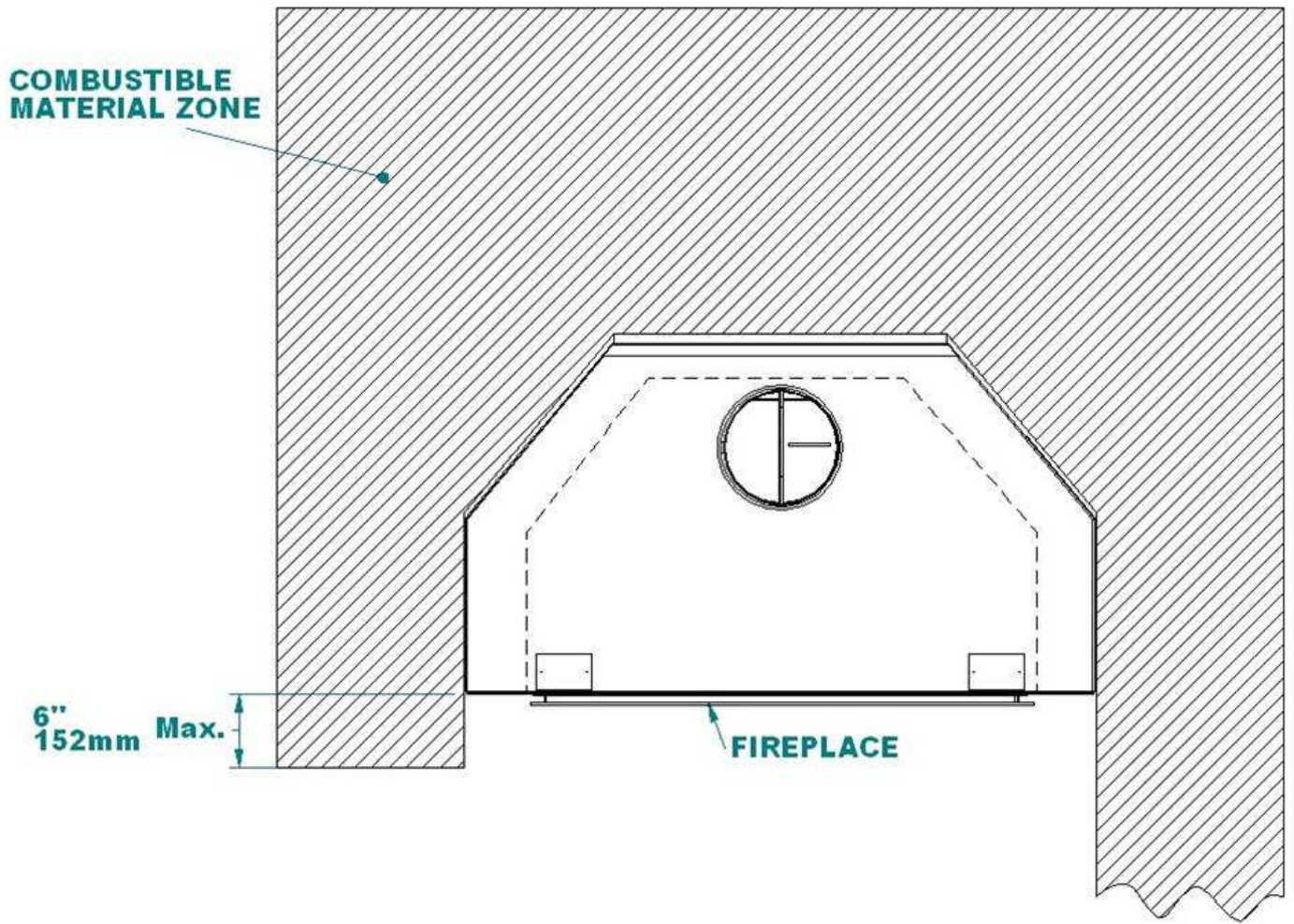


Figure #12: Chimney Enclosure

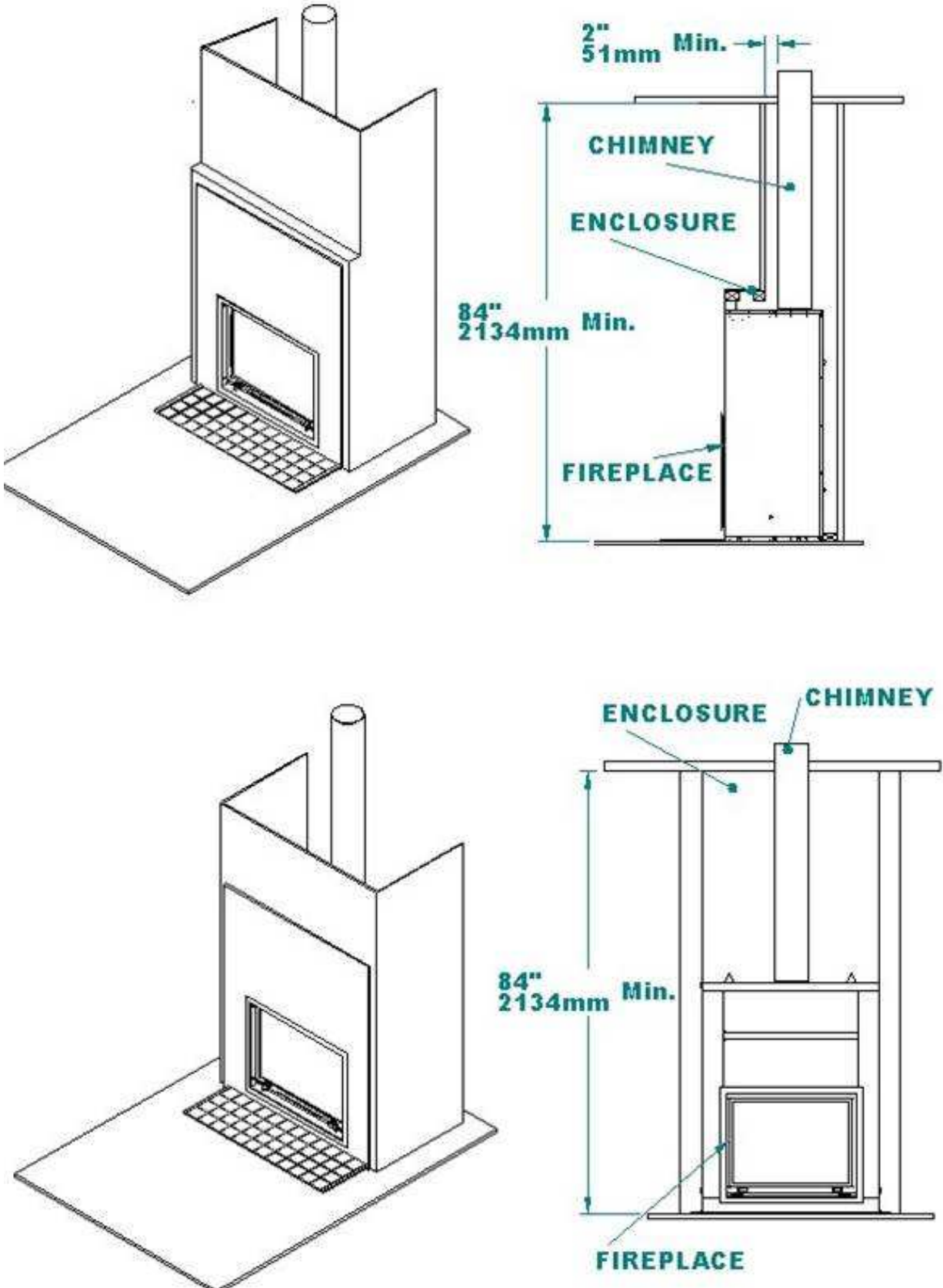


Figure #13a: Mantel Positioning

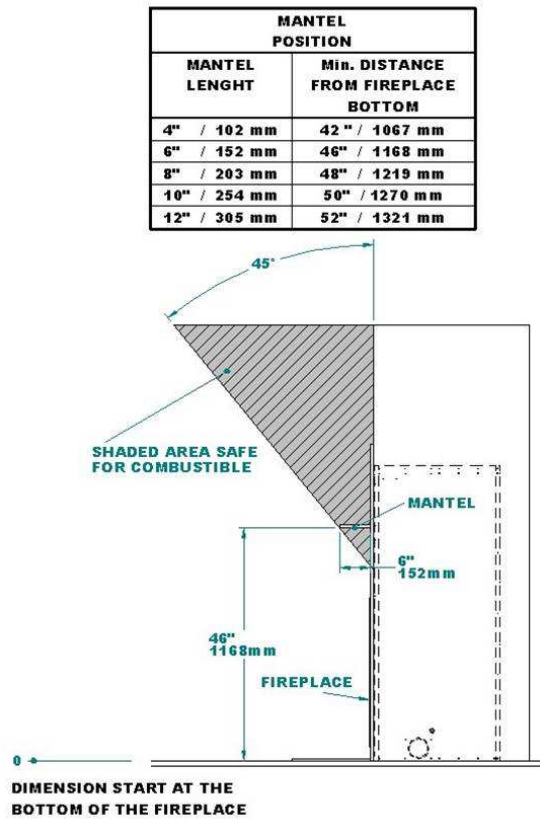


Figure 13b : Combustible material positioning

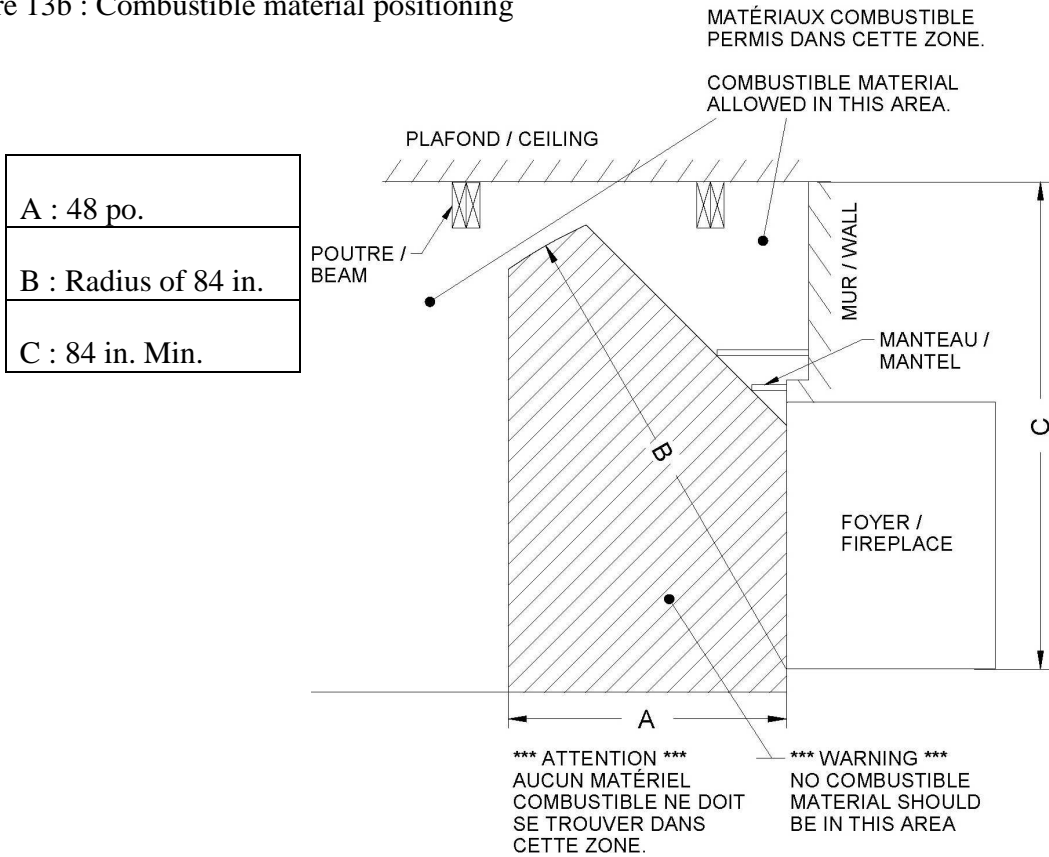
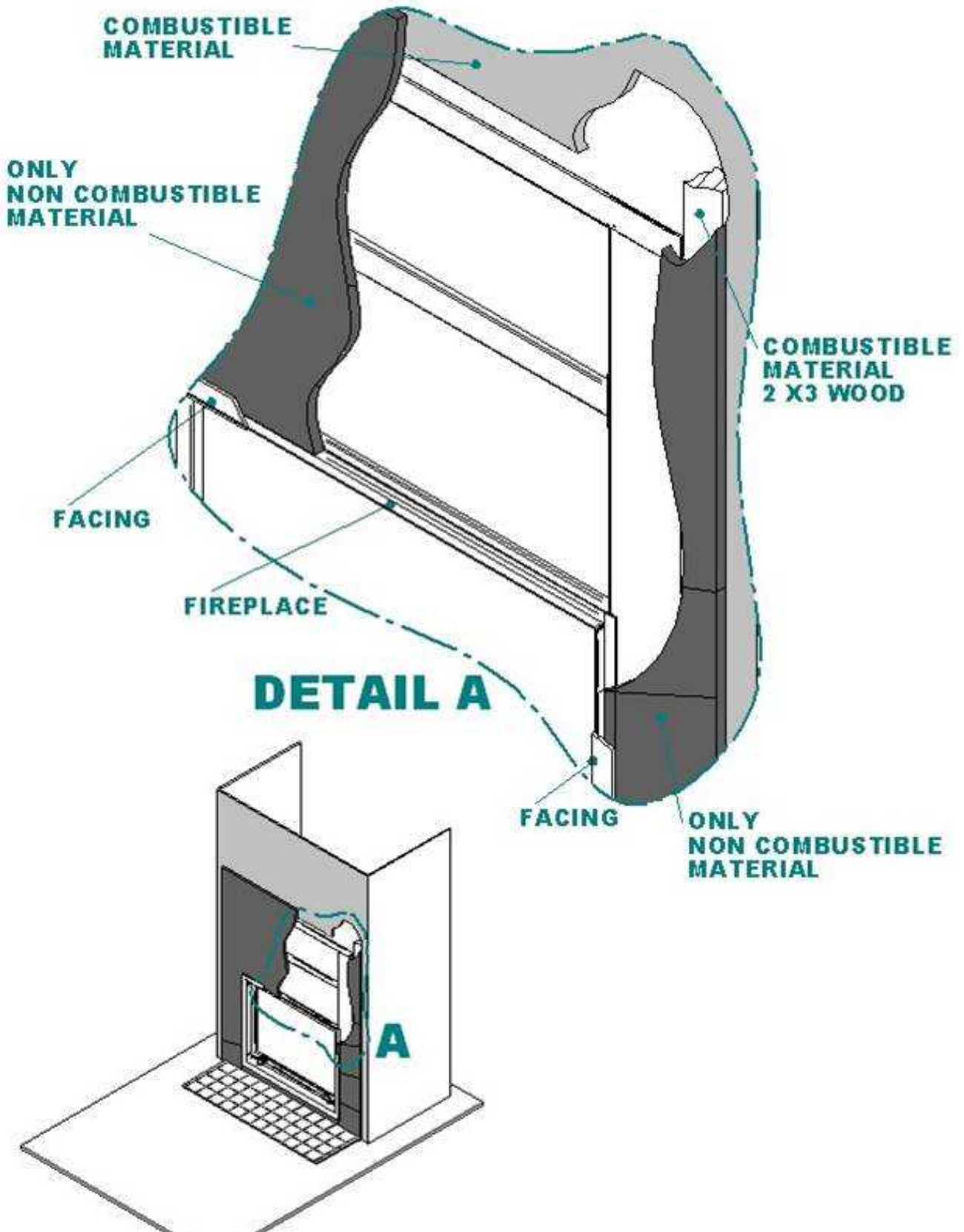




Figure #14: Installation of Fireplace Facing with Chimney Elbow



## **USE AND SAFETY**

1. Teach children fireplace safety rules.
2. Do not use the fireplace under the following conditions:
  - 2.1 Whenever a refractory brick is missing or broken.
  - 2.2 Whenever the ceramic glass is cracked or broken.
3. Never use flammable liquids to light or revive a fire and keep such products away from any heat source. Before lighting a fire, make sure there are no flammable liquids, gases or fumes in the room.
4. Before starting each fire, open the flue damper using the damper control located in the bottom right. When the fireplace is hot, do not touch the damper control with your bare hands.
5. Open the air intake lever located on the bottom left.
6. Prevent smoke flow reversal by preheating the chimney flue. Just hold a torch made of rolled up newspaper towards the smoke chamber for a few minutes.
7. Valcourt fireplaces are designed to burn reasonable quantities of wood. Avoid making overly intense fires that would damage the appliance.

### ***DO NOT OVERHEAT***

8. Use the Andiron made by VALCOURT Burn only the quantity of combustible it can contain. Do not burn garbage, painted wood or wood that has been exposed to salt water.
9. Always have minimum of 1" accumulation of ashes at the bottom of the fireplace.
10. During the first fires, you may detect a certain odor and the coating and oil protecting certain appliance parts may smoke a little. If you open a window, these will quickly dispel.
11. It could also become necessary to open a window if the house is too airtight or if an exhaust fan is running.
12. Keep the firescreen closed at all times. If the fireplace is left unattended while the fire is still burning, carefully close the glass door. Adjust the air intake lever to its maximum position.
13. Expansion and contraction noises during the heating and cooling cycle are normal. It is not a matter for concern.
14. Once the fire is out and the embers have cooled, close the flue and the air intake dampers until you prepare to light the next fire.

NOTE: Make sure furniture, draperies, and any extra logs are a minimum of 48" (1220 mm) away from the fireplace.

## CREOSOTE

When wood burns slowly, it produces tar and other organic vapors which combine with humidity to produce creosote. Creosote vapor condenses in the chimney left relatively cool by the slow fire and coats the inside of the flue with residue. When creosote ignites, it produces a red-hot, extremely dangerous fire.

It is therefore recommended to make small, brightly burning fires rather than lazy, smoldering fires. Not only will it keep your glass doors and flue cleaner but, what is most important, it will lessen the likelihood of chimney fires.

## CHIMNEY FIRE SAFETY PROCEDURES

What to do if you suspect a chimney fire has started:

1. Close the fireplace door.
2. Alert everyone in the house.
3. Call the Fire Department if necessary.
4. Put out the fire in the fireplace with a dry-chemical extinguisher, baking soda, sand or ashes. **(Never use salt because it is corrosive, nor water because it could cause a steam explosion.)**
5. Make sure the sparks coming from the chimney do not set fire to the roof.
6. Before re-using the fireplace, have it inspected by the Fire Department.

## **MAINTENANCE**

1. Clean color trim with soapy water and a soft cloth. Do not use any metal polish or abrasives.
2. Keep the glass relatively clean. Dirty windows will make the fireplace overheat. Wait until the glass is cool before attempting to clean it. Wash the glass with window or oven cleaner, dishwashing liquid or just soap and water. Spray the cleaner on a soft cloth and not on the glass, since overspray may discolor coating or metal plating (not covered by the warranty). **DO NOT** use steel wool, soap pads (S.O.S.) or any other abrasive product since these may scratch the glass.
3. To remove the ashes, put them in a metal container with an airtight lid. Place the container on a non-combustible surface away from any flammables until the ashes are cold.
4. Before each heating season, inspect the interior and exterior of the fireplace and chimney for any defects or deterioration.
5. To reduce the risk of chimney fires, keep the chimney relatively clean and regularly check for creosote buildup. To remove the rain cap, just unscrew it counter-clockwise. Any layer of creosote greater than 1/8" (3 mm) thick should be swept. Use a plastic brush to avoid scratching the flue.

## **REPLACING GLASS**

*Do not use the fireplace with a cracked glass.*

Here are the steps to replace glass windows of an Antoinette fireplace:

1. Open the glass door with the lock located on right side of the glass door
2. Remove all the rivets holding the door.
3. Remove all debris from the frame.
4. Use only 3/16" (5 mm) ceramic glass.
5. Slide the new window into the frame and fasten it in place with 1/8 Pop rivet.
6. Handle the glass with care to avoid injury.

NOTE: Never use substitute parts. Use only Valcourt brand parts.

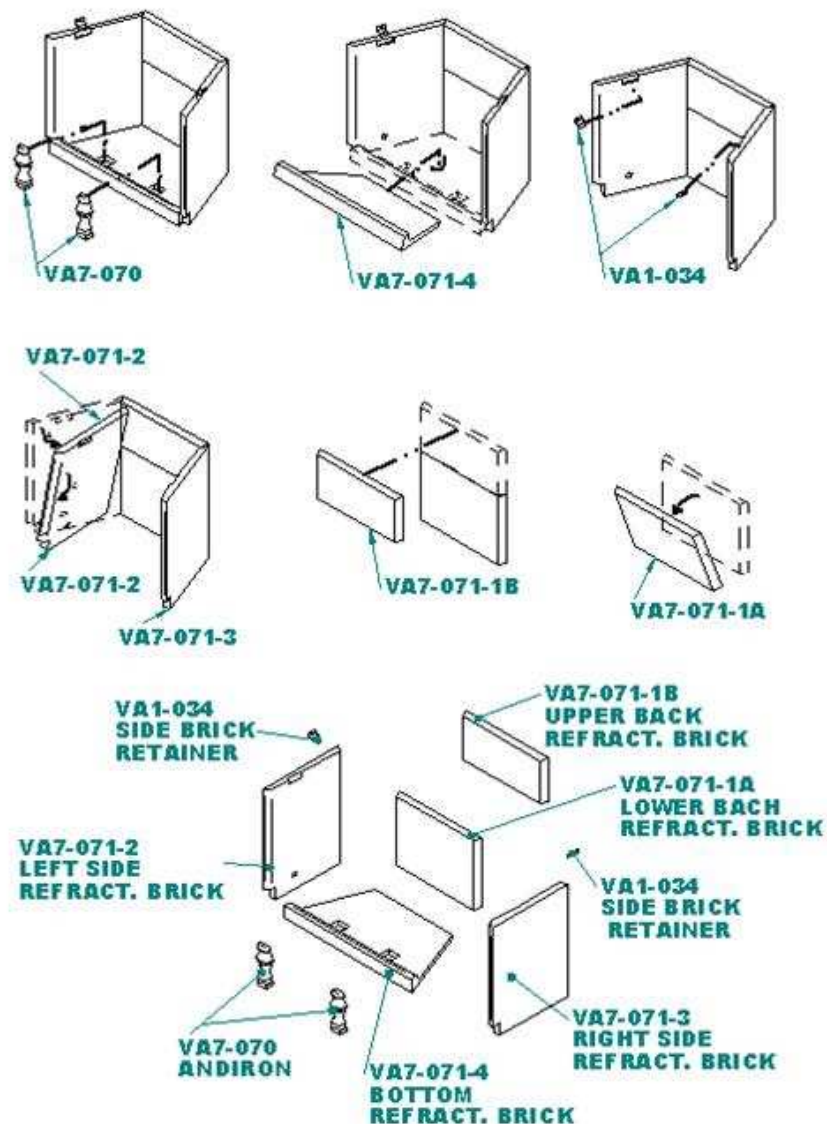
## REPLACING FIRESTONE

*Do not use the fireplace with a broken or missing firestone.*

Here are the steps to replace the firestones of an Antoinette fireplace:

1. Remove the Andirons (VA7-070) by unscrewing the anchoring bolts.
2. Remove the front refractory brick (VA7-071-5).
3. Remove the bottom refractory brick (VA7-071-4).
4. Unscrew the refractory brick retainers (VA1-034).
5. Remove the left and right side refractory brick (VA7-071-2 and VA7-071-3).
6. Remove the back refractory brick (VA7-071-1).
7. To reinstall the replacement firestones, just follow the steps in reverse.

Figure #15: Replacing Antoinette Firestones



## **TROUBLESHOOTING**

Expansion and contraction noises during the heating and cooling cycle are normal. Prevent smoke flow reversal by positioning air intake lever to the maximum, slowly open the fireplace doors before lighting the kindling, make a torch by lighting rolled up newspaper and hold it up to the smoke chamber until you feel the chimney begin to draw.

A properly installed Antoinette Fireplace should never smoke. If it does, it will probably be for one of the following reasons:

1. The chimney's outdoor installation is defective or incorrect, creating draft reversal problems and, consequently, making it difficult to start a fire.
2. The chimney was not adequately preheated. Remember that the hotter the fireplace, the better the chimney draws.
3. The fireplace doors or the air intake damper were closed too quickly. Adequate air supply is essential to sustaining combustion.
4. If the room is too airtight or negative pressure has built in the house and there is no outside air intake, air supply to the fireplace will be lower than usual. Temporarily open a window near the fireplace to increase air supply.
5. Any type of exhaust fan (range hood or bathroom exhaust fan) creates negative pressure. Shut off the fan and/or open a window near the fireplace to solve this problem.
6. Wet wood smokes more than dry wood. The wetter the wood, the less heat it generates and the more creosote it produces. If the wood being burned is very wet, inspect the chimney every month it is used.
7. Make sure the chimney is reasonably clean and unobstructed.
8. Check whether the chimney is the recommended height: minimum of 3' (914 mm) from the roof joint. If not, add more lengths of flue. This will improve draw and reduce the fireplace's tendency to smoke.
9. Fireplaces with chimneys installation an unfinished outside wall often tend to smoke and are difficult to light. To prevent these problems, open a window near the fireplace and preheat the chimney by holding a newspaper torch in the upper part of the combustion chamber. Wait long enough to establish effective draw, then light the fire.
10. Always remove excess ashes before lighting a fire. Maintaining a 1" (2.5 mm) thickness of ashes optimizes combustion and maximizes fire duration.
11. Use only dry wood, i.e. wood that has dried for one year (10% to 20% humidity). Very dry wood will burn very well, but will generate a great deal of heat and will not last.

## **VALCOURT LIMITED LIFETIME WARRANTY**

The warranty of the manufacturer extends only to the original consumer purchaser and is not transferable. This warranty covers brand new products only, which have not been altered, modified nor repaired since shipment from factory. Products covered under this warranty must have been manufactured after the revision date indicated below. Proof of purchase (dated bill of sale), model name and serial number must be supplied when making any warranty claim to your VALCOURT dealer.

**This warranty applies to normal residential use only. Damages caused by misuse, abuse, improper installation, lack of maintenance, over firing, negligence, accident during transportation, power failures, downdrafts, or venting problems are not covered by this warranty.**

This warranty does not cover any scratch, corrosion, warping, or discoloration caused by over firing, abrasives or chemical cleaners. Any defect or damage caused by the use of unauthorized parts or others than original parts void this warranty. An authorized qualified technician must perform the installation in accordance with the instructions supplied with this product and all local and national building codes. Any service call related to an improper installation is not covered by this warranty.

The manufacturer may require that defective products be returned or that digital pictures be provided to support the claim. Returned products are to be shipped prepaid to the manufacturer for investigation. If a product is found to be defective, the manufacturer will repair or replace such defect. Transportation fees to ship the product back to the purchaser will be paid by the manufacturer. Repair work covered by the warranty, executed at the purchaser's domicile by an authorized qualified technician requires the prior approval of the manufacturer. Labour cost and repair work to the account of the manufacturer are based on predetermined rate schedule and must not exceed the wholesale price of the replacement part. All parts and labour costs covered by this warranty are limited according to the table below.

The manufacturer at its discretion may decide to repair or replace any part or unit after inspection and investigation of the defect. The manufacturer may, at its discretion, fully discharge all obligations with respect to this warranty by refunding the wholesale price of any warranted but defective parts. The manufacturer shall in no event be responsible for any special, indirect, consequential damages of any nature, which are in excess of the original purchase price of the product. A one-time replacement limit applies to all parts benefiting from a lifetime coverage. This warranty applies to products purchased after March 1<sup>st</sup>, 2009.

DESCRIPTION	WARRANTY APPLICATION	
	PARTS	LABOUR
Combustion chamber (welds only), castings, convector air-mate, ceramic glass (thermal breakage only*), and secondary air tubes*.	Lifetime	4 years
Plating* (defective manufacture) – subject to limitations above.	Lifetime	n/a
Stainless steel firebox components, surrounds and heat shields, ash drawer, steel legs, pedestal, trims (aluminum extrusions), C-Cast baffle*, and vermiculite baffle*.	5 years	3 years
Carbon steel firebox components, glass retainers, and handle assembly.	3 years	2 years
Blowers, heat sensors, switches, rheostat, wiring, and other controls.	2 years	1 year
Paint (peeling), gaskets, insulation, firebrick, and ceramic fibre blankets.	1 year	n/a

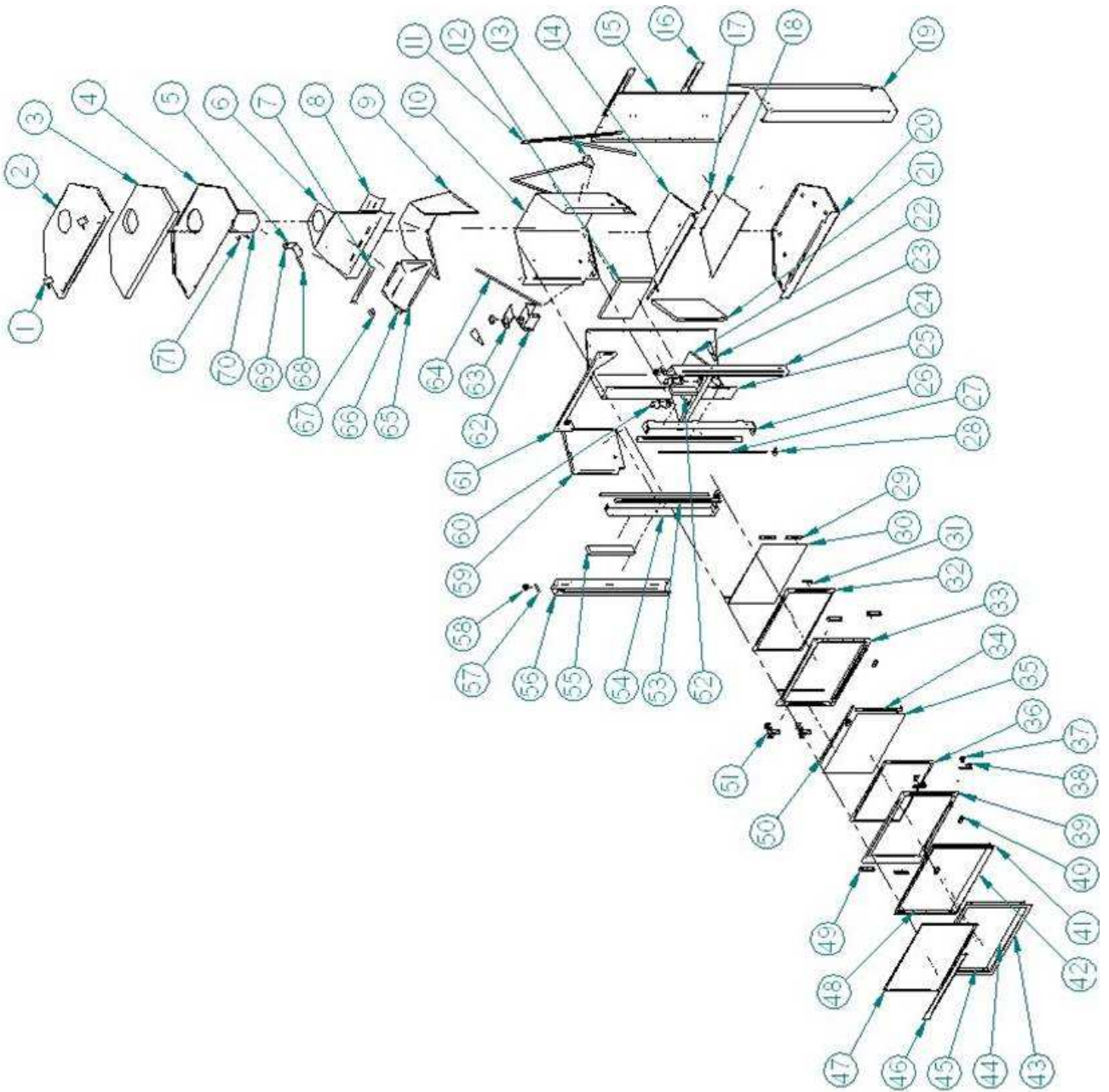
*\*Pictures required*

Shall your unit or a components be defective, contact immediately your **VALCOURT** dealer. Prior to your call make sure you have the following information necessary to your warranty claim treatment:

- Your name, address and telephone number;
- Bill of sale and dealer's name;
- Serial number and model name as indicated on the nameplate fixed to the back of your unit;
- Nature of the defect and any relevant information.

**Before shipping your unit or defective component to our plant, you must obtain from your VALCOURT dealer an Authorization Number. Any merchandise shipped to our plant without authorization will be refused automatically and returned to sender.**

# APPENDIX A





item	qté	# mcs	name
1	2	FP4-016	FP1 standoff
2	1	FP7-006	FP7 top
3	1	FP7-105	FP7 top insulation pannel
4	1	FP7-007	FP7 inner top
5	1	FP7-027	FP7 damper weight
6	1	FP7-004A	FP7 firebox top front
7	1	FP7-136	FP7 damper short rod
8	1	FP7-004B	FP7 smoke int. deflector
9	1	FP7-004	FP7 firebox top body
10	1	FP7-001A	FP7 fierbox body
11	1	FP7-135	FP7 damper swivel vert. bar
12	1	FP7-071-1-A	FP7 back refract. brick
13	1	FP7-045	FP7 damper support
14	1	FP7-002A	FP7 firebox bottom
15	1	FP7-012B	FP7 back
16	2	FP7-014	FP7 back stiffner
17	2	FP7-043	FP7 air entrance lever control
18	1	FP7-008	FP7 bottom heat shield
19	1	FP7-012AD	FP7 right side
20	1	FP7-005	FP7 base
21	1	FP7-071-3	FP7 right refract. brick
22	1	FP7-071-4	FP7 bottom refract. brick
23	2	FP7-042G	FP7 air entrance lever
24	1	FP7-030D	FP7 weight guide
25	1	FP7-012AG	FP7 left side
26	1	FP7-030D-2	FP7 right support part 2
27	2	FP7-055	FP7 slide rod guide
28	2	FP7-030C	FP7 bottom door adjuster
29	4	FP7-051A	FP7 glass retainer
30	1	FP7-051J	FP7 door neoceram class
31	1	FP7-041	FP7 glass door lock
32	1	FP7-051	FP7 pivoting door
33	1	FP7-155	FP7 glass frame
34	2	FP7-200D	FP7 dramex side retainer
35	1	FP7-200A	FP7 firescreen dramex

36	1	FP7-200B	FP7 firescreen removable part
37	4	FP7-032A	FP7 slider top
38	4	FP7-032	FP7 slider body
39	1	FP7-200	FP7 firescreen door
40	4	FP1-066	FP1 wood handle
41	2	FP7-FE-30A	FP7 maçonry trim top
42	1	FP7-FE-30D	FP7 maçonry trim bottom
43	1	FP7-FE-29G	FP7 facing
44	1	FP7-FE-29D	FP7 facing rear bottom
45	1	FP7-FE-29ABA	FP7 facing stiffner
46	1	FP7-010B	FP7 front stiffner
47	1	FP7-010A	FP7 front
48	1	FP7-FE-30ABA	FP7 maçonry trim side
49	4	FP7-033	FP7 door slide
50	2	FP7-200C	FP7 dramex top retainer
51	4	FP1-065	FP1 bearing
52	1	FP7-057D	FP7 firescreen door weight
53	2	FP7-032B	FP7 door guide
54	1	FP7-030G-2	FP7 left support part 2
55	1	FP7-057G	FP7 glass door weight
56	1	FP7-030G	FP7 left weight support
57	2	FP7-034B	FP7 pulley shaft
58	2	FP7-034	FP7 pulley
59	1	FP7-071-2	FP7 left refract. brick
60	2	FP7-070	FP7 iron andiron
61	1	FP7-030H	FP7 mounting horiz. fix.
62	1	FP7-040	FP7 air entrance box
63	1	FP7-040B	FP7 air entrance box top
64	4	FP7-001B	FP7 firebox back stiffner
65	1	FP7-031	FP7 air inlet
66	2	FP1-060	FP1 3" air inlet fitting
67	1	FP7-039	FP7 damper rod swivel
68	1	FP7-044	FP7 damper rod
69	1	FP1-003A	FP1 Damper body
70	1	FP7-037	FP7 flue collar
71	4	FP1-053	FP1 inner top holder



MIS À L'ESSAI SELON  
TESTED TO

CAN/ULC S610-M87  
UL 127  
(A07/AUGUST 2006)

## FOYER PRÉFABRIQUÉ HOMOLOGUÉ LISTED FACTORY BUILT FIREPLACE

**WH-**

**MODÈLE / MODEL: FP7 ANTOINETTE**

DÉGAGEMENTS MINIMAUX AUX MATÉRIEAUX COMBUSTIBLES MINIMUM CLEARANCES TO COMBUSTIBLE MATERIALS			
MUR LATÉRAL:	6 po. (de la vitre)	SIDEWALL:	6 in. (from glass)
POUTRE:		MANTEL:	
HAUTEUR (H):	H <sub>min</sub> = 46 po.	HEIGHT (H):	H <sub>min</sub> = 46 in.
LARGEUR (L):	L = (H - H <sub>min</sub> ) po + 6 po.	WIDTH (W):	W = (H - H <sub>min</sub> ) in. + 6 in.
MUR ARRIÈRE:	0 po. (aux entretoises)	BACKWALL:	0 in. (to spacers)
CÔTÉS:	0 po. (aux entretoises)	SIDES:	0 in. (to spacers)
DESSUS:	84 po. (du plancher)	TOP:	84 in. (from floor)

ALIMENTATION ÉLECTRIQUE / ELECTRICAL RATING: 115V, 60Hz, 0.7A

- UNE PROTECTION INCOMBUSTIBLE DOIT ÊTRE INSTALLÉE À L'AVANT DU FOYER EXCÉDANT DE 405mm (16 po.) À L'AVANT ET 203mm (8 po.) DES CÔTÉS DE L'OUVERTURE DES PORTES.
- UTILISER SEULEMENT AVEC LES CHEMINÉES HOMOLOGUÉES DE DIAMÈTRE DE 203 mm (8 po.) DE MODÈLES «ASHT» ET «S2100» DE CHEMINÉES SÉCURITÉ, MODÈLES «FC», «MAX», «SUPERPRO» ET «ALTERNATIVE» DE SUPERVENT (GSW), MODÈLES «SSB», «CF», «ULTRA-TEMP» ET «ULTRA-TEMP HT» DE SELKIRK, MODÈLE «EXCEL 2100-3» DE ICC, MODÈLES «HT6103» ET «HT6000» DE OLIVER MACLEOD, MODÈLE «COMMANDER HT5000» D'ENERGY VENT ET MODÈLES «DURAPLUS HTC» ET «DURATECH» DE SIMPSON.
- LES COMPOSANTES UTILISÉES AVEC LE FOYER DOIVENT ÊTRE HOMOLOGUÉES WH.
- REMPLACER LE VERRE AVEC DU VERRE CÉRAMIQUE DE 5mm D'ÉPAISSEUR.
- POUR UNE UTILISATION SÉCURITAIRE, INSTALLER ET OPÉRER CONFORMÉMENT AUX INSTRUCTIONS DU FABRICANT.
- POUR UNE UTILISATION AVEC BOIS SEULEMENT. NE PAS UTILISER D'AUTRES COMBUSTIBLES.
- OUVRIR LE REGISTRE AVANT D'OUVRIR LES PORTES.
- NE PAS SURCHAUFFER L'APPAREIL.
- ATTENTION: LORSQUE LE FOYER BRÛLE, UN APPORT D'AIR SUPPLÉMENTAIRE DOIT ÊTRE PRÉVU DANS LA PIÈCE. UN MANQUE D'AIR D'APPOINT POURRAIT PRIVER LES AUTRES APPAREILS DE COMBUSTION D'UNE ALIMENTATION D'AIR ADEQUATE.
- A NON-COMBUSTIBLE HEART EXTENSION MUST BE INSTALLED IN FRONT OF UNIT EXTENDING 405mm (16 in.) IN FRONT AND 203mm (8 in.) TO SIDES OF DOOR OPENING.
- USE ONLY WITH 203 mm (8 in.) DIAMETER LISTED CHIMNEYS: SECURITY CHIMNEYS MODELS «ASHT» AND «S2100», SUPERVENT (GSW) MODELS «FC», «MAX», «SUPERPRO» AND «ALTERNATIVE», SELKIRK MODELS «SSB», «CF», «ULTRA-TEMP» AND «ULTRA-TEMP HT», ICC MODEL «EXCEL 2100-3», OLIVER MACLEOD MODELS «HT6103» AND «HT6000», ENERGY VENT MODEL «COMMANDER HT5000» AND SIMPSON MODELS «DURAPLUS HTC» AND «DURATECH».
- COMPONENTS USED WITH THE FIREPLACE MUST BE WH LISTED.
- REPLACE GLASS WITH CERAMIC GLASS 5mm THICK ONLY.
- INSTALL AND USE IN ACCORDANCE WITH MANUFACTURER'S INSTALLATION AND OPERATING INSTRUCTIONS ONLY.
- FOR USE WITH WOOD ONLY, DO NOT USE OTHER FUELS.
- OPEN DAMPER BEFORE OPENING THE DOORS.
- DO NOT OVERFIRE UNIT.
- CAUTION: WHEN A FIRE IS BURNING IN THE FIREPLACE, FRESH AIR MUST BE SUPPLIED TO THE ROOM WHERE THE FIREPLACE IS LOCATED, FAILURE TO PROVIDE THIS, MAY STARVE OTHER FUEL BURNING APPLIANCE FROM AN ADEQUATE AIR SUPPLY.

MANUFACTURIER / MANUFACTURER

SAINT-JEAN-SUR-RICHELIEU, Qc

FABRIQUÉ AU CANADA

*Valcourt*

MADE IN CANADA

### REGISTER YOUR WARRANTY ONLINE

To receive full warranty coverage, you will need to show evidence of the date you purchased your unit. Keep your sales invoice. We also recommended that you register your warranty online at: [www.valcourtinc.com/](http://www.valcourtinc.com/) Registering your warranty online will help us track rapidly the information we need on your unit.